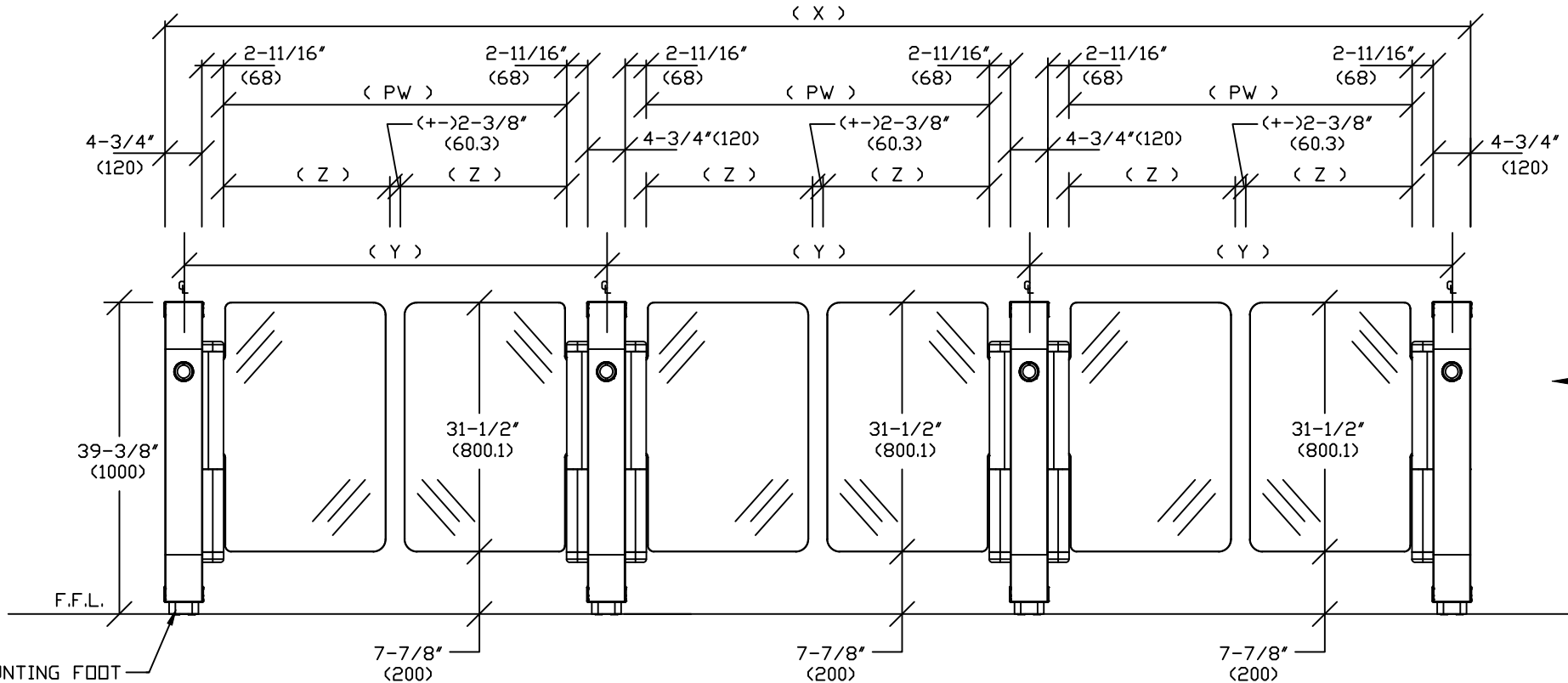
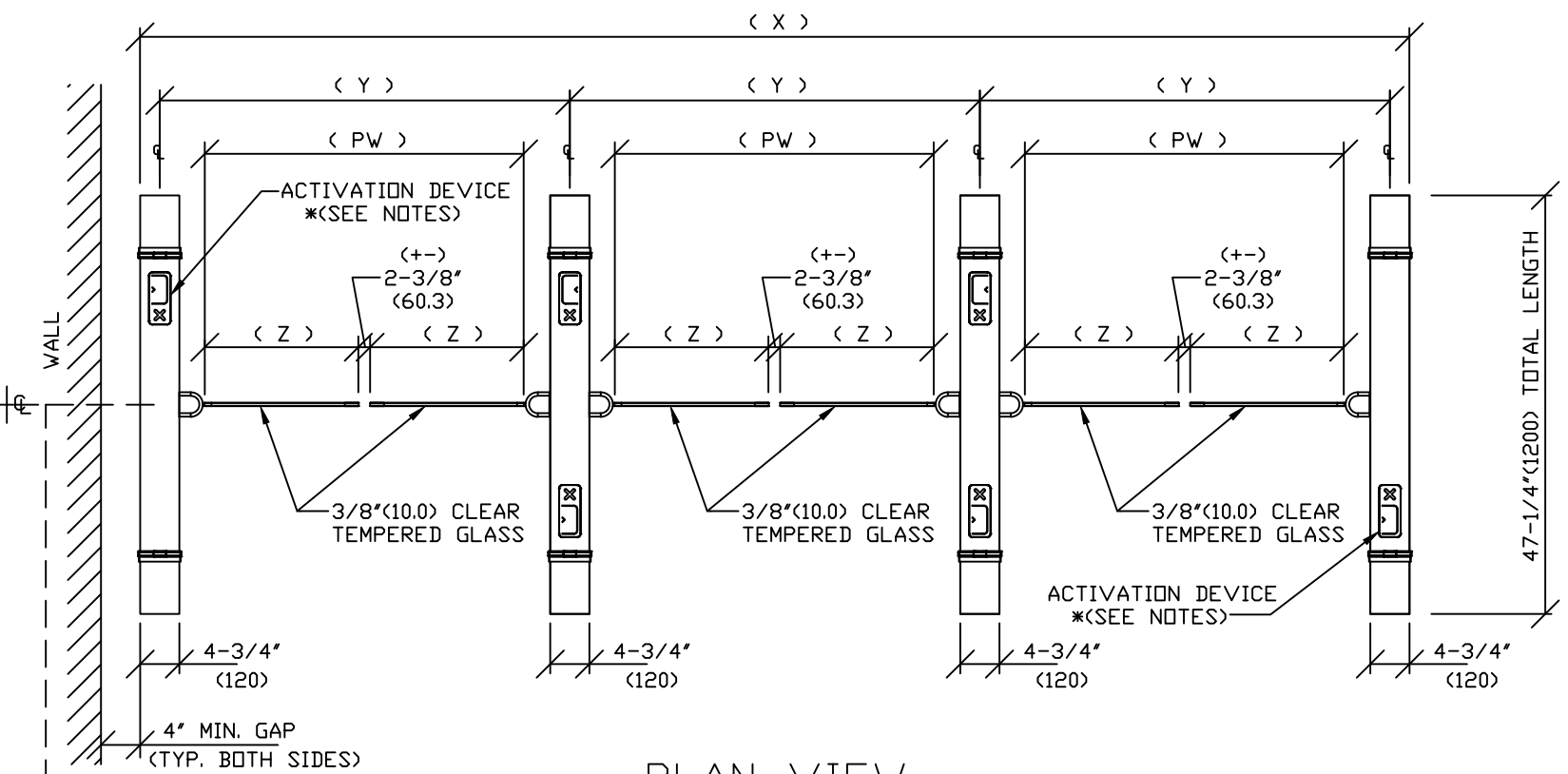


SIDE VIEW



FRONT VIEW  
3 LANE

LOW GLASS = SHOWN  
MID GLASS & HIGH GLASS = OPTIONAL



PLAN VIEW

NOTE: CUSTOM UNIT WIDTH & CLEAR OPENING, CONSULT FACTORY.

CABINET LENGTH ( CL )	UNIT WIDTH ( X )	CENTER ( Y )	CLEAR OPENING ( PW )	GLASS WINGS ( Z )
47-1/4" (1200)	105-13/16" (2698)	33-11/16" (856)	23-5/8" (600)	10-5/8" (269.8)
	118-15/16" (3021)	38-1/16" (967)	28" (711)	12-13/16" (325)
	142-15/16" (3630)	46-1/16" (1170)	36" (914)	16-3/16" (411.1)
	164-7/8" (4188)	53-3/8" (1356)	43-5/16" (1100)	20-1/2" (4520.7)

DIMENSIONS ARE IN INCHES [mm]

THE ASSA ABLOY EXPRESSION SPEEDGATE IS INTENDED EXCLUSIVELY FOR PEDESTRIAN PASSAGE AND INDOOR USE ONLY.

### NOTES

- CABINET TYPES: OPEN / CENTER GLASS / BOXED.
- STANDARD EQUIPMENT: CABINET, CLEAR GLASS LEAFS, SAFETY SENSORS, DRIVE UNIT, LED LIGHT BAND AND LED PICTOGRAM.
- \*ACTIVATION DEVICE: LOCATION OPTIONAL ON BOTH INSIDE AND OUTSIDE ON TOP PANEL OF EACH CABINET. MAXIMUM SIZE 2.64"(67MM) X 5.32"(135MM) WITH MAXIMUM HEIGHT OF DEVICE 1.34"(34MM). (ACTIVATION DEVICE PROVIDED BY OTHERS)
- POWER INPUT: 110vac 240vac0-50/60 Hz.
- FINISHES: RAL POWDER COATINGS, AXALTA POWDER COATINGS.
- ACCESSORIES:
  - (OPTIONAL-EXTRA COST) RAISED FLOOR MOUNTING PLATFORM.
  - (OPTIONAL-EXTRA COST) MANUAL PUSH BUTTON CONTROLLER.
- GLASS HEIGHTS: AVAILABLE IN 31-1/2"(800.1), 39-3/8"(1000.1) & 63"(1600.2)

DWG NO. ACH-1604273  
DRN BY DDD DATE 05/06/24 CHK BY DATE REV. H DATE 09/25/25

EXPRESS-3-47H

**ASSA ABLOY**

JOB NAME: \_\_\_\_\_

\_\_\_\_\_

\_\_\_\_\_

SHEET 1 OF 2