

Customer:

Ref:

Door id:

Date:

Project No:

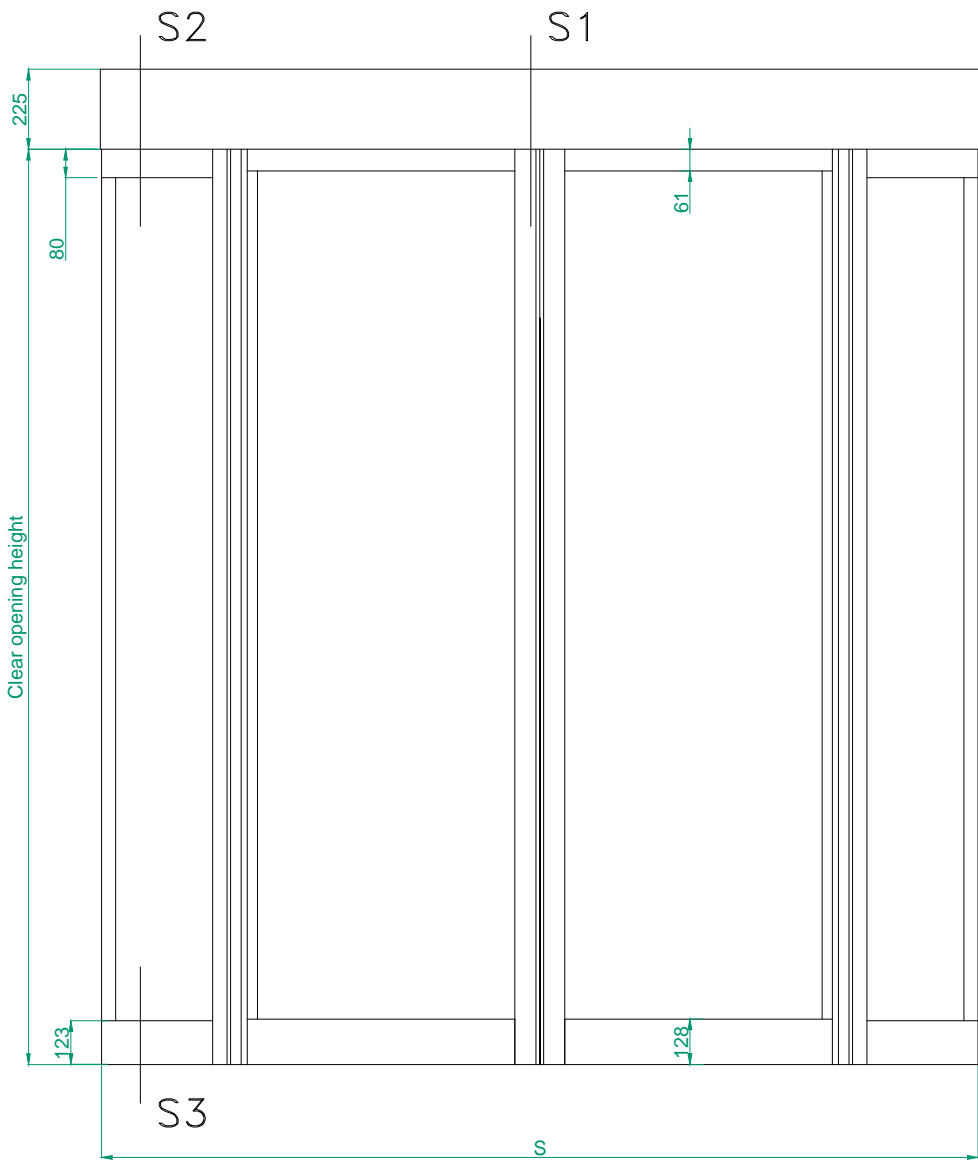
Sign:

ASSA ABLOY CMD (UniSlide C)  
 Internal door  
 Floor preparation

**ASSA ABLOY**

3.0

1016482



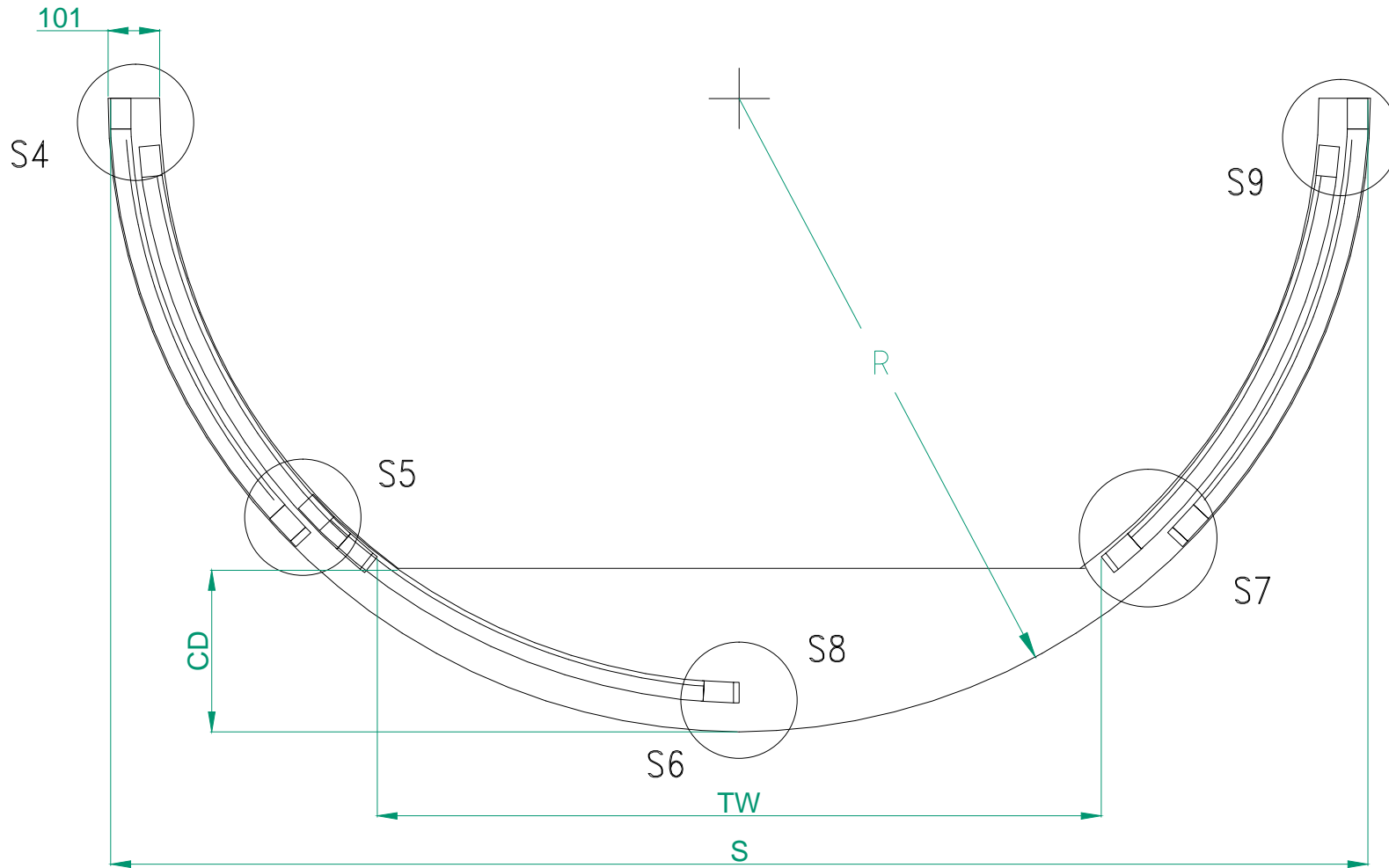
Customer:
Door id:
Project No:

Ref:
Date:
Sign:

ASSA ABLOY CMD (UniSlide C)  
Internal door  
Front view

**ASSA ABLOY**

3.0	1016482
-----	---------



Customer:

Ref:

Door id:

Date:

Project No:

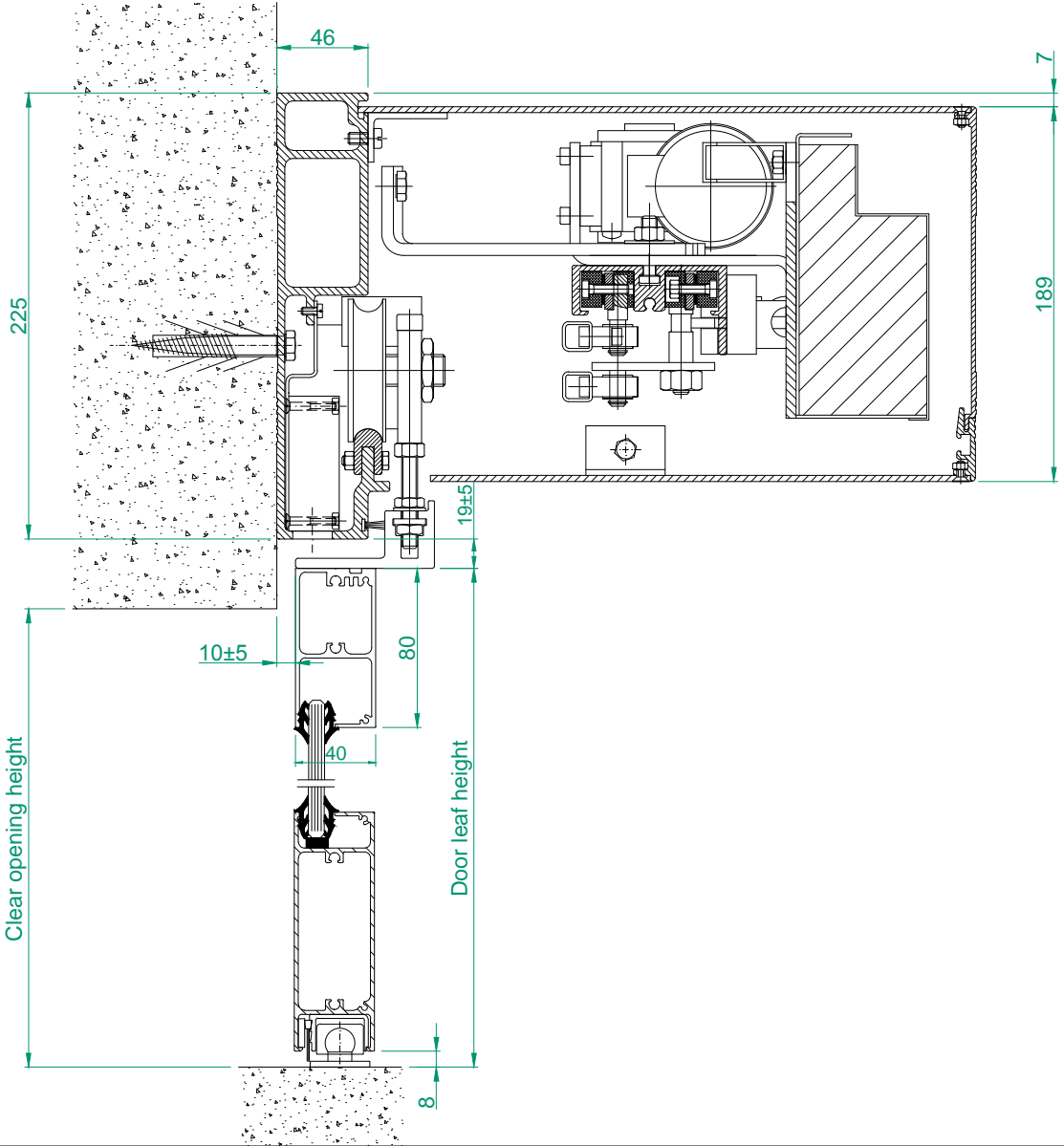
Sign:

ASSA ABLOY CMD (UniSlide C)  
 Internal door  
 Top view

**ASSA ABLOY**

3.0

1016482

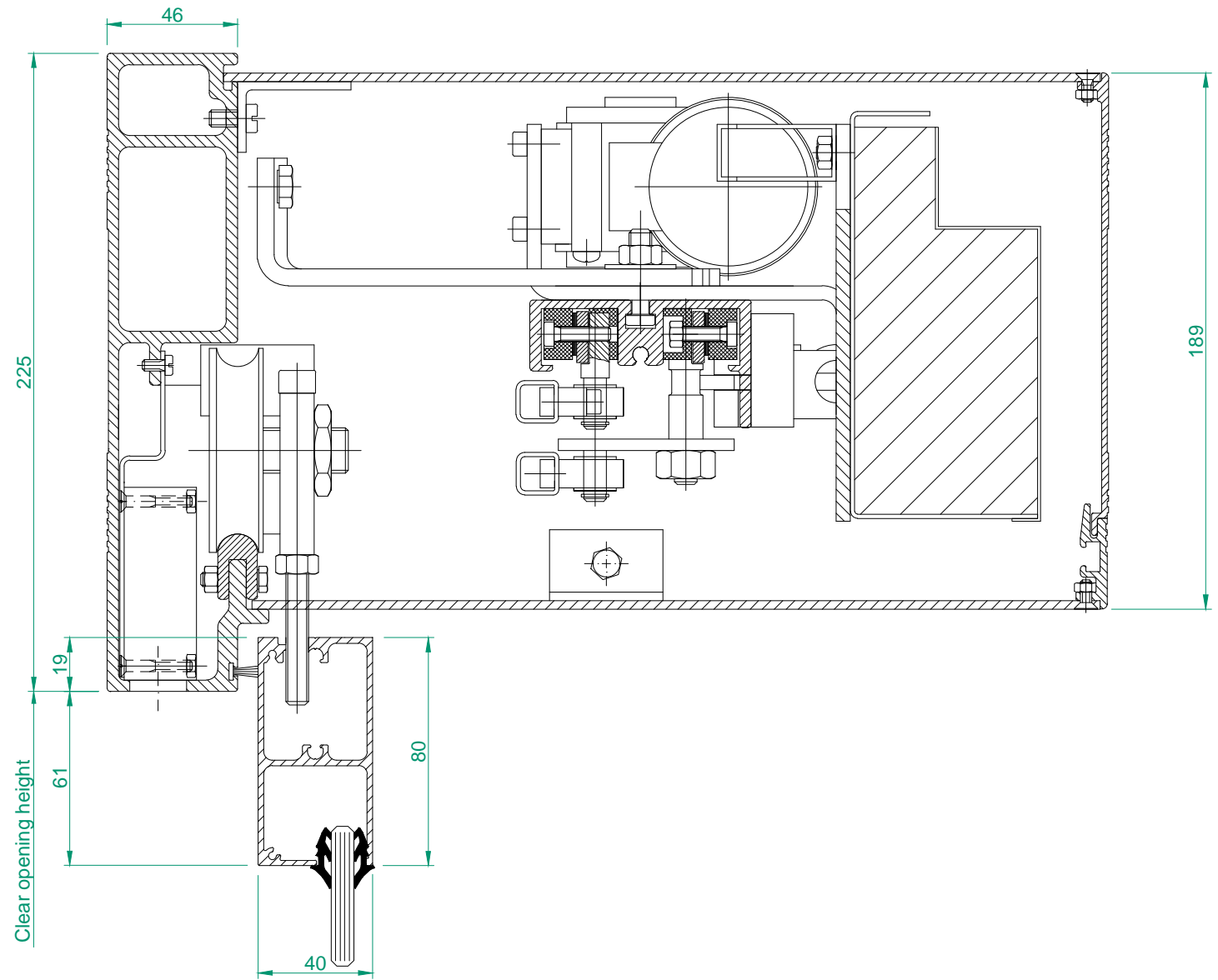


Customer:
Door id:
Project No:

Ref:
Date:
Sign:

ASSA ABLOY CMD (UniSlide C)  
Internal door  
Suggested fixing of surface mounted operator

<b>ASSA ABLOY</b>
3.0
1016482

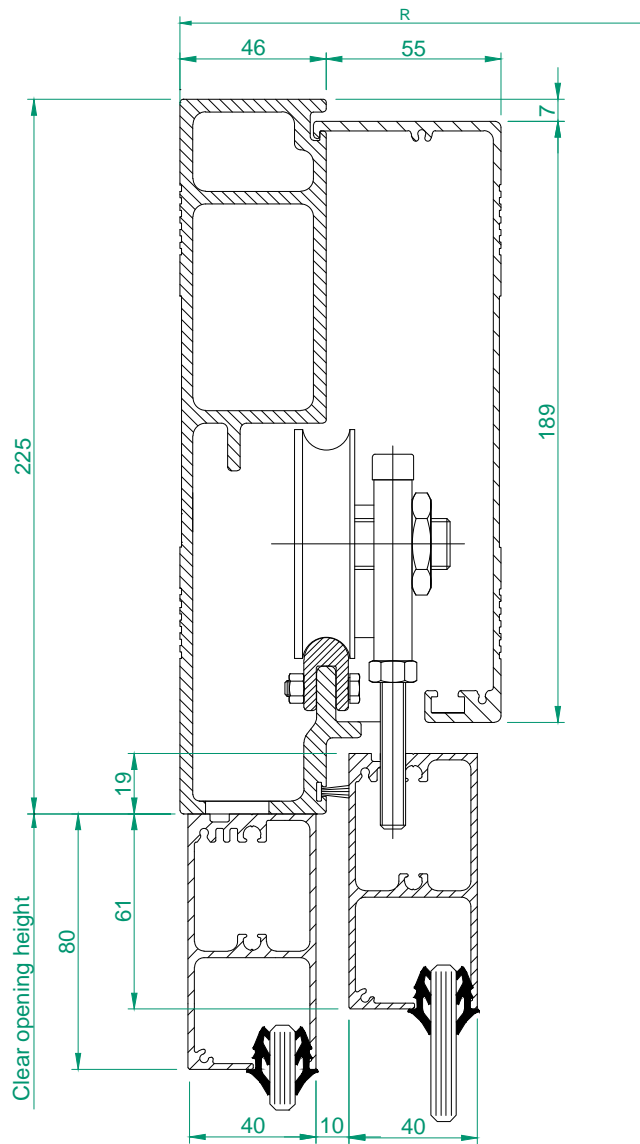


Customer:
Door id:
Project No:

Ref:
Date:
Sign:

ASSA ABLOY CMD (UniSlide C)  
Internal door  
Section operator  
S1

<b>ASSA ABLOY</b>	
3.0	1016482

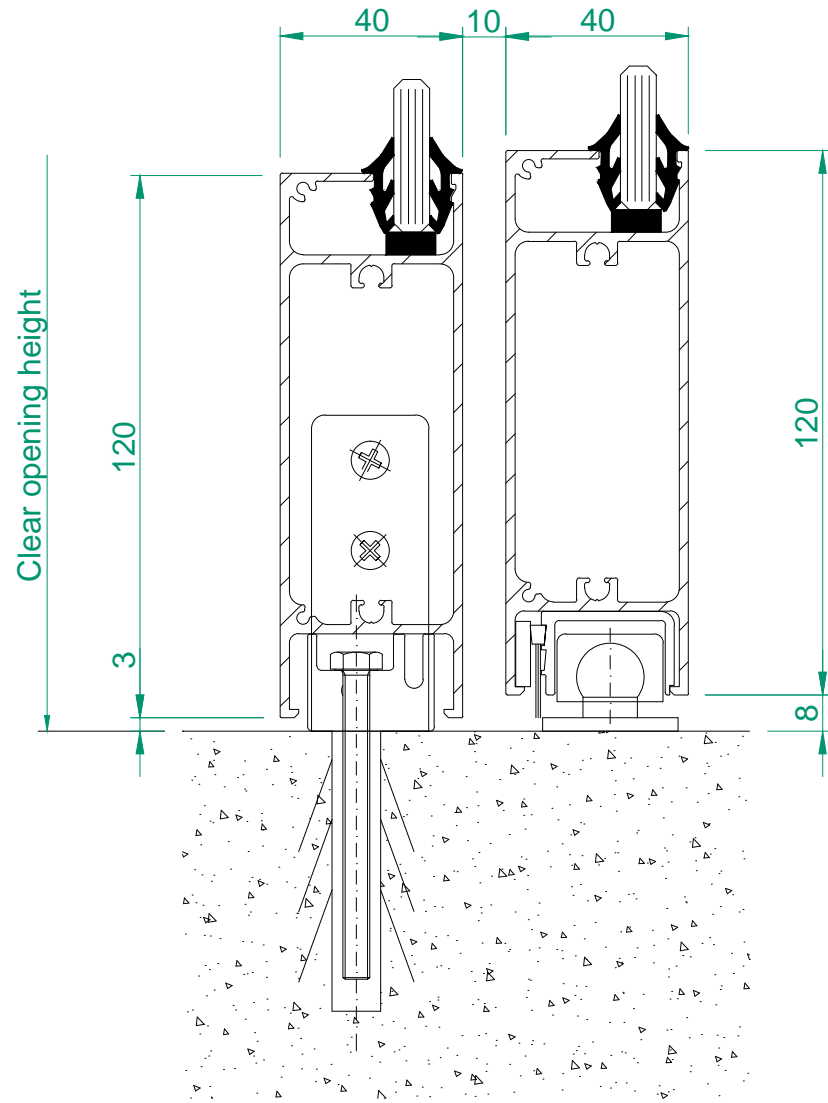


Customer:
Door id:
Project No:

Ref:
Date:
Sign:

ASSA ABLOY CMD (UniSlide C)  
Internal door  
Section operator  
S2

<b>ASSA ABLOY</b>	
3.0	1016482



Customer:

Ref:

Door id:

Date:

Project No:

Sign:

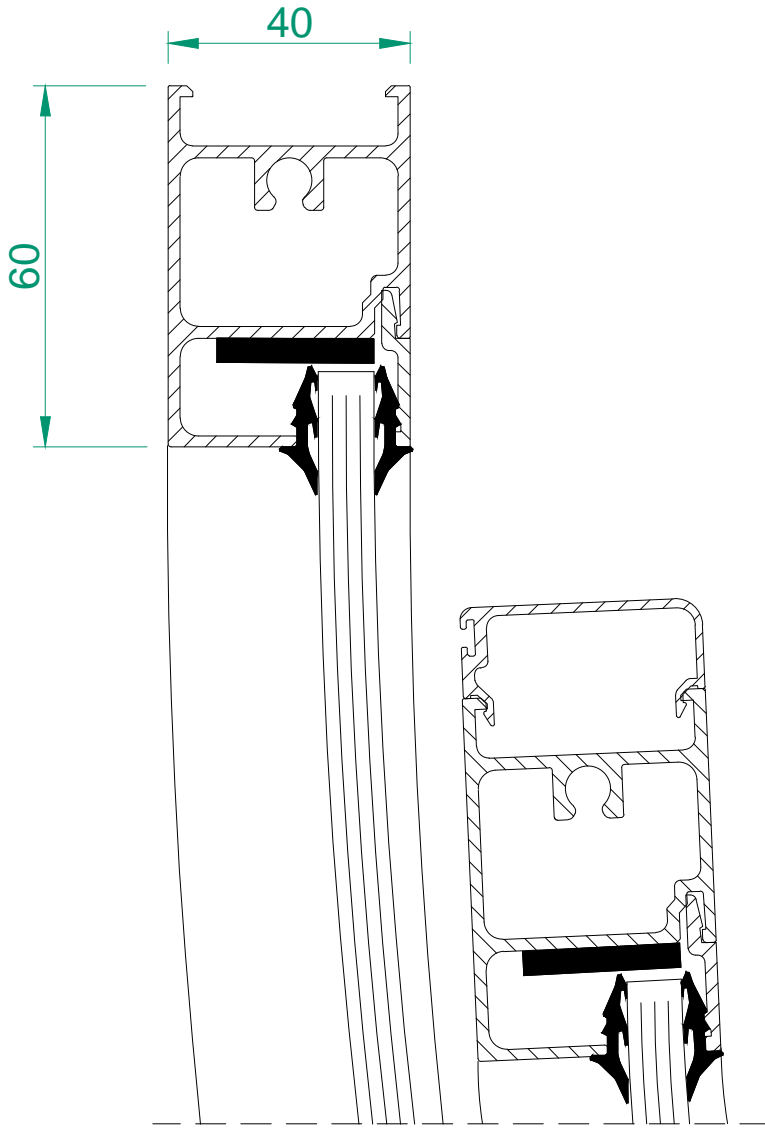
ASSA ABLOY CMD (UniSlide C)  
Internal door  
Section bottom  
S3

**ASSA ABLOY**

3.0

1016482

© ASSA ABLOY Entrance Systems AB, 2018  
Technical data subject to change without notice.



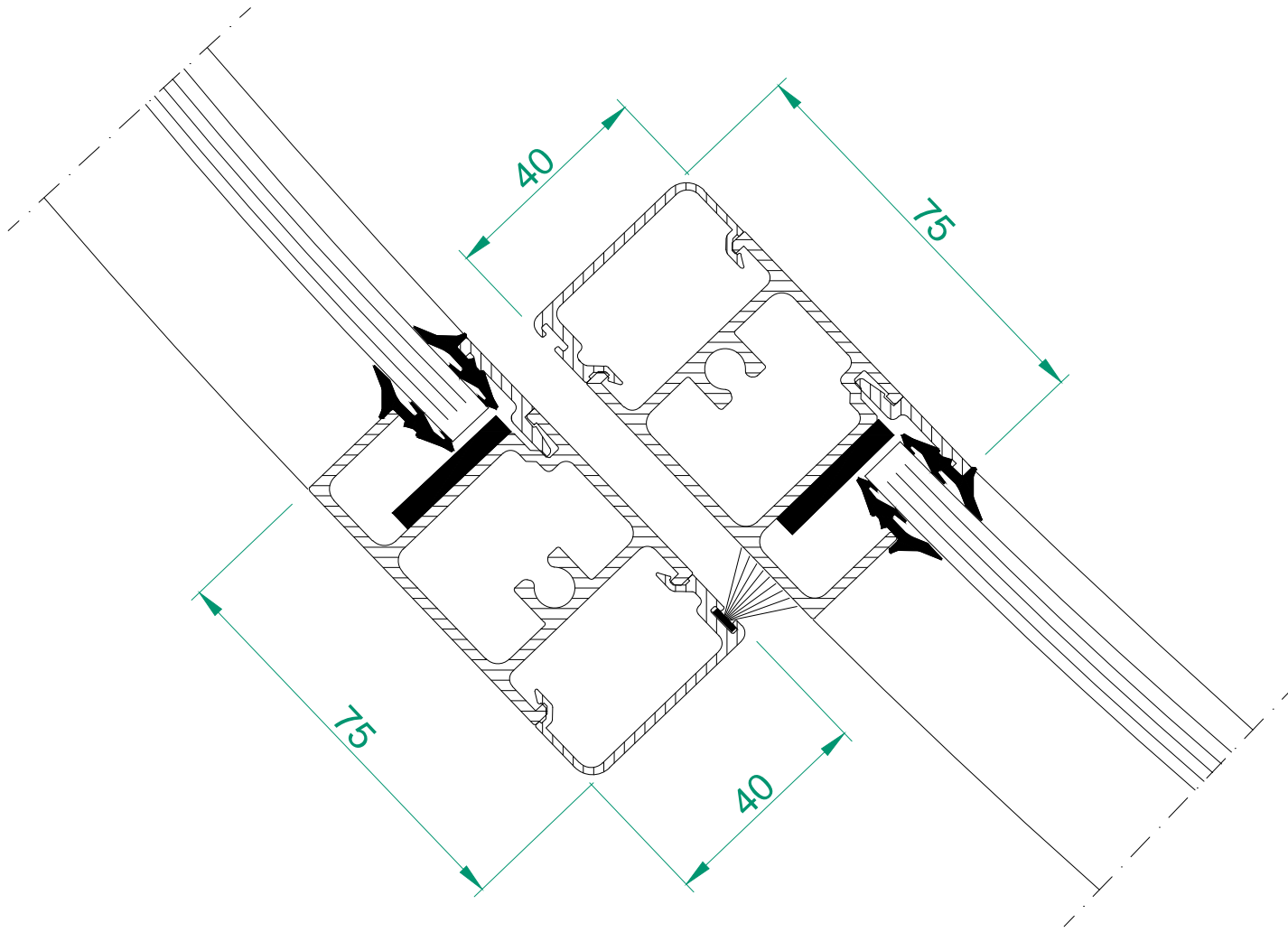
Customer:
Door id:
Project No:

Ref:
Date:
Sign:

ASSA ABLOY CMD (UniSlide C)  
Internal door  
Section wall door open  
S4

<b>ASSA ABLOY</b>
3.0
1016482





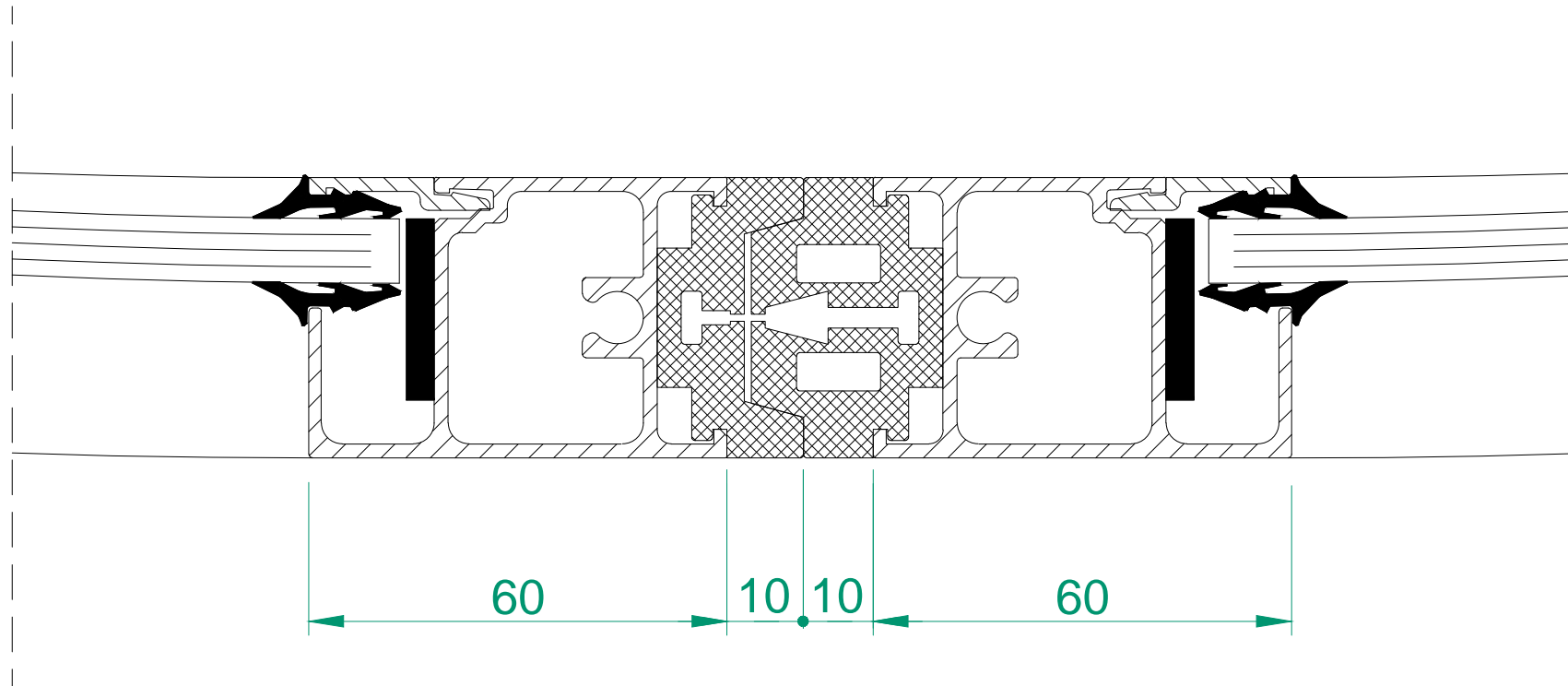
© ASSA ABLOY Entrance Systems AB, 2018  
 Technical data subject to change without notice.

Customer:
Door id:
Project No:

Ref:
Date:
Sign:

ASSA ABLOY CMD (UniSlide C)  
 Internal door  
 Section wall door closed  
 S5

<b>ASSA ABLOY</b>	
3.0	1016482



© ASSA ABLOY Entrance Systems AB, 2018  
 Technical data subject to change without notice.

Customer:

Ref:

Door id:

Date:

Project No:

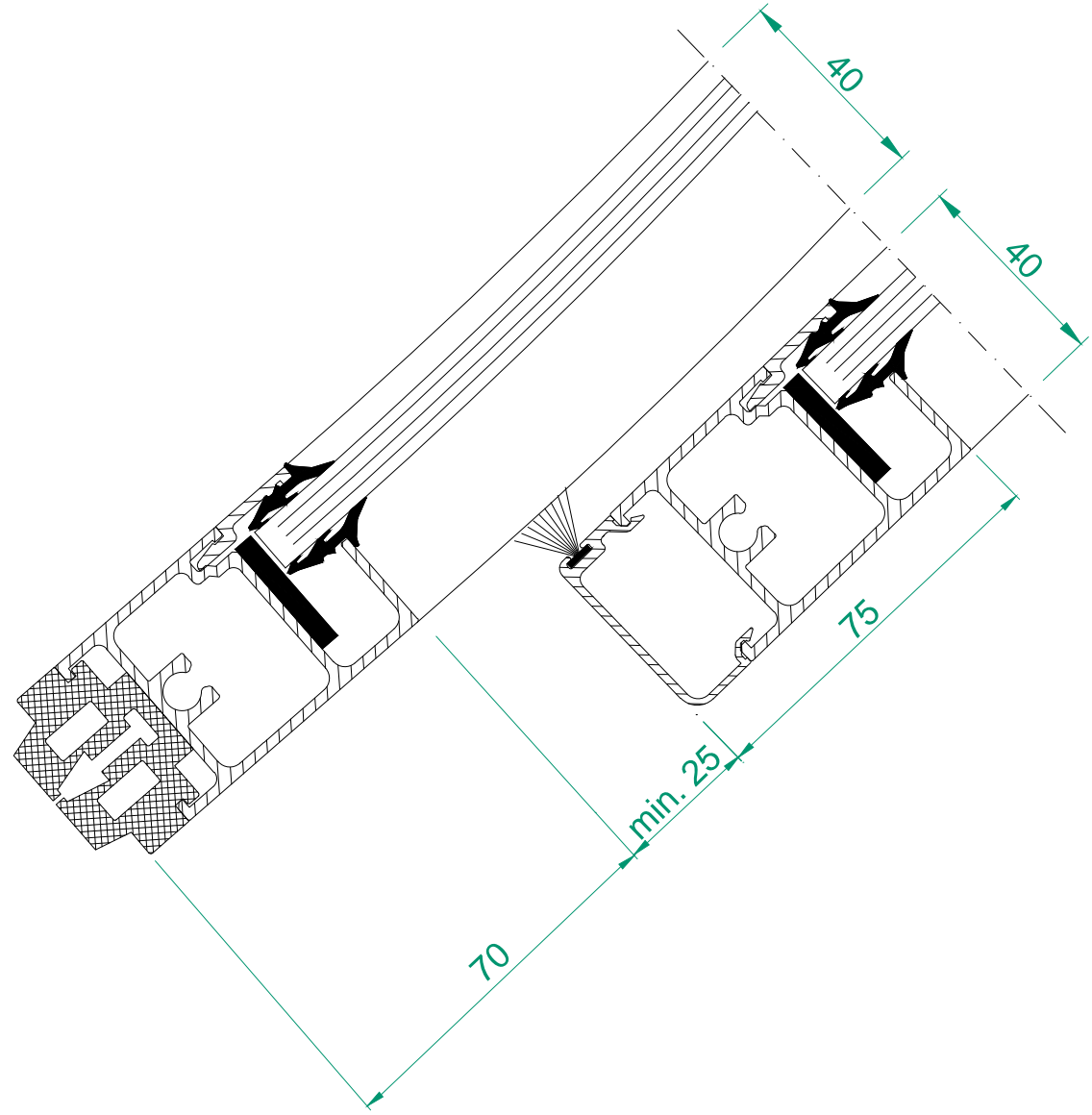
Sign:

ASSA ABLOY CMD (UniSlide C)  
 Internal door  
 Section door - door closed  
 S6

**ASSA ABLOY**

3.0

1016482

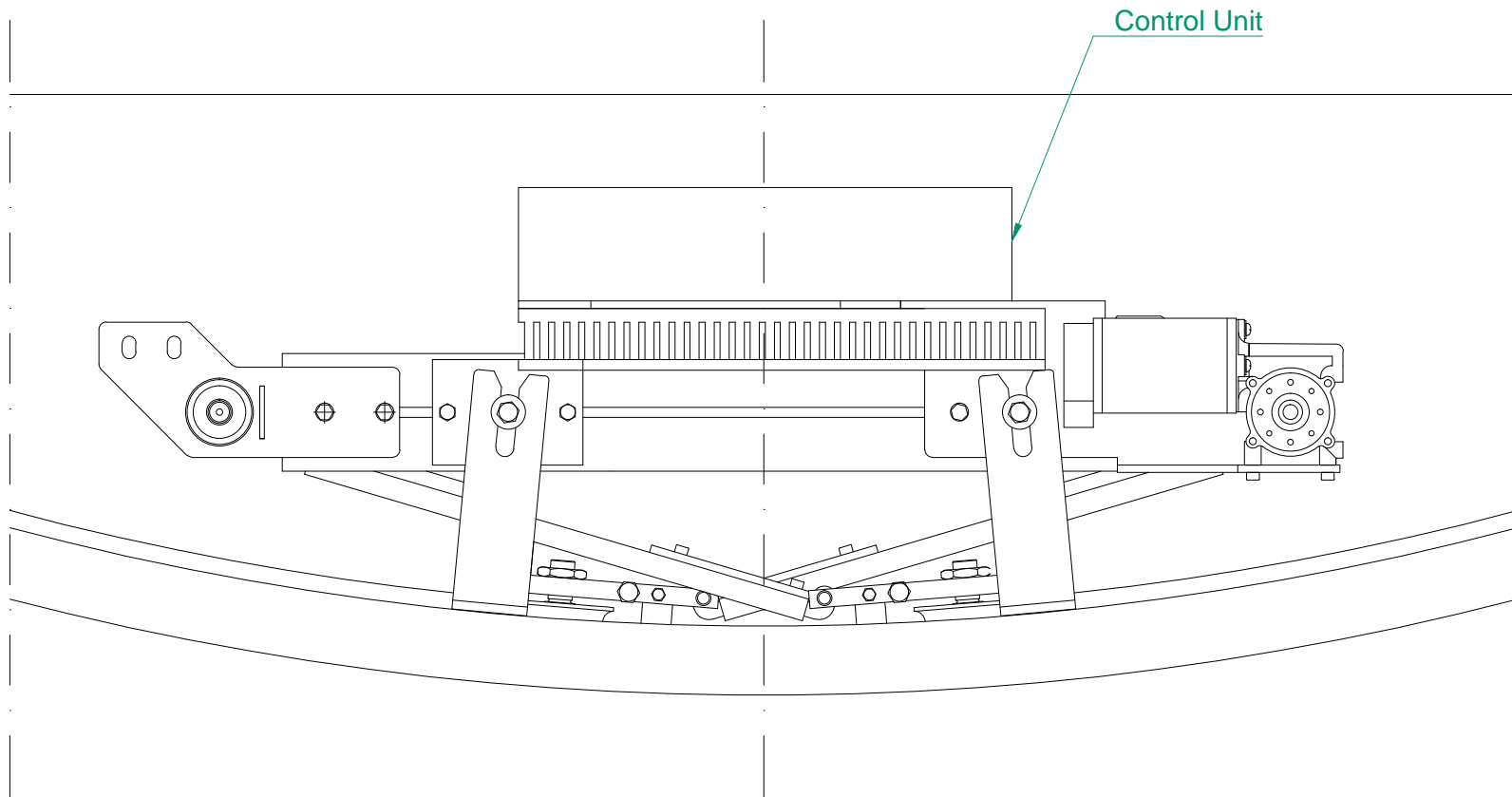


Customer:
Door id:
Project No:

Ref:
Date:
Sign:

ASSA ABLOY CMD (UniSlide C)  
Internal door  
Section wall door open  
S7

<b>ASSA ABLOY</b>	
3.0	1016482



Customer:

Ref:

Door id:

Date:

Project No:

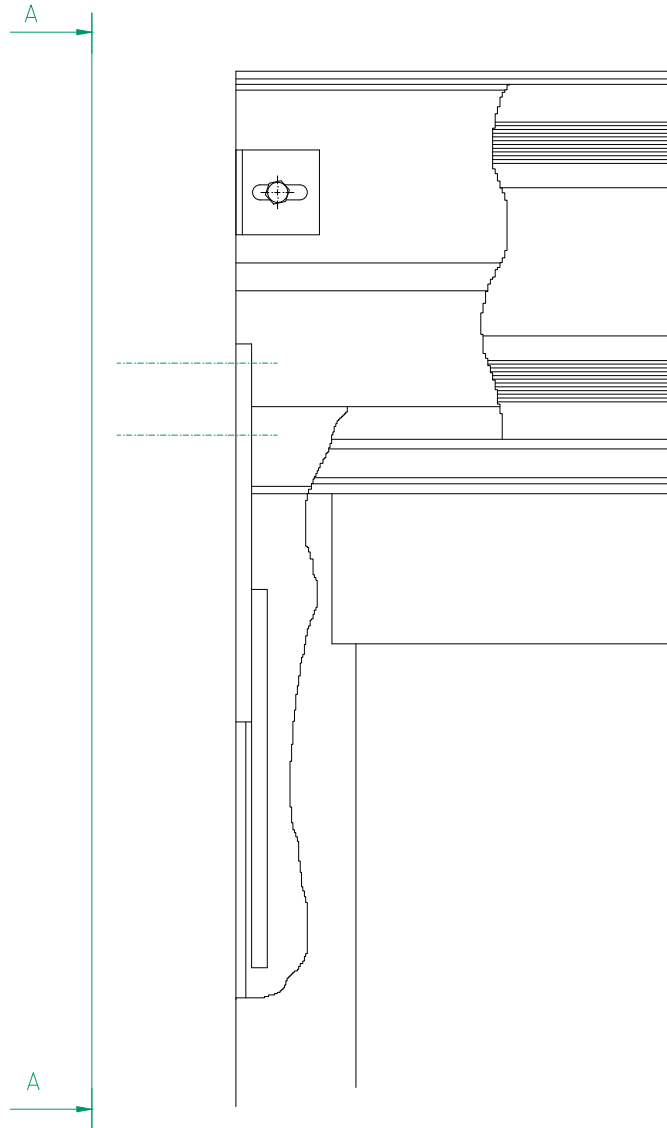
Sign:

ASSA ABLOY CMD (UniSlide C)  
Internal door Section top  
S8

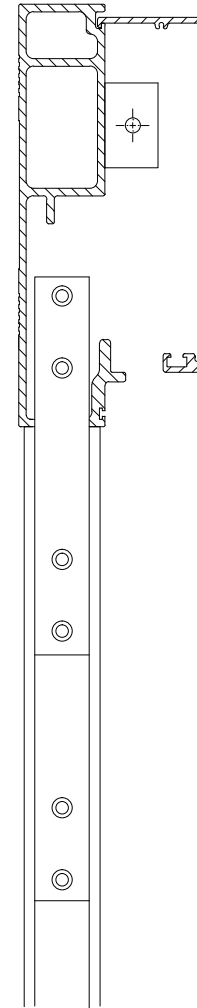
**ASSA ABLOY**

3.0

1016482



A-A



Customer:

Ref:

Door id:

Date:

Project No:

Sign:

ASSA ABLOY CMD (UniSlide C)  
Internal door  
Suggested fixing of operator and walls to structure  
S9

**ASSA ABLOY**

3.0

1016482