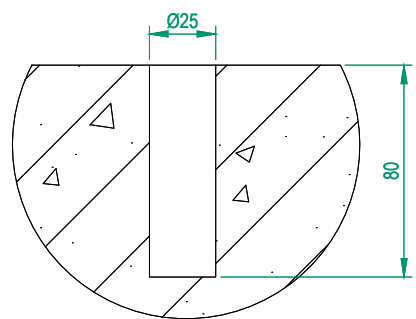
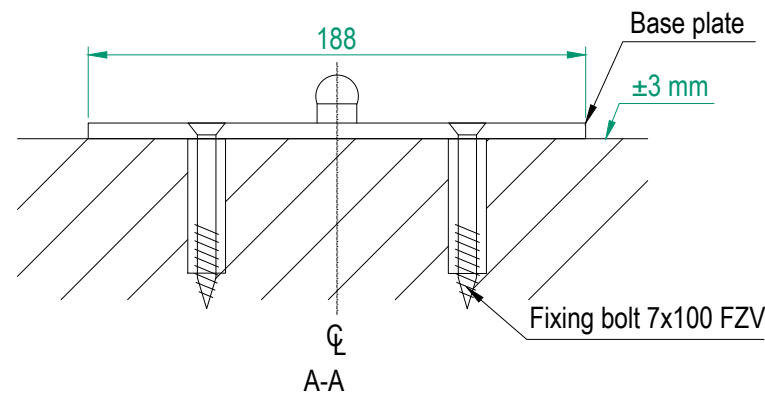


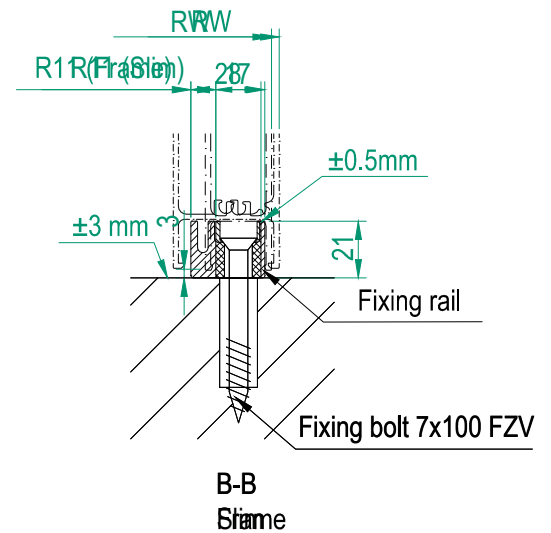
Finished floor with hard, smooth level surface (+/- 3mm)



SECTION F-F



A-A



B-B
Frame

RD100	-18	-21	-24	-27	-30
DF	1890	2190	2490	2790	3090
RW	940	1090	1240	1390	1540
Frame					
RD100-3					
W1	300	330	380	430	480
W2	120	140	160	180	200
RD100-4					
W1	250	280	330	380	430
W2	170	190	210	230	250

W1 = Weight (kg) distributed over the fixing rail
W2 = Weight (kg) distributed over the base plate

Note: Mechanical lock is in next layer

Customer: _____

Door id: _____

Project No: _____

Ref: _____

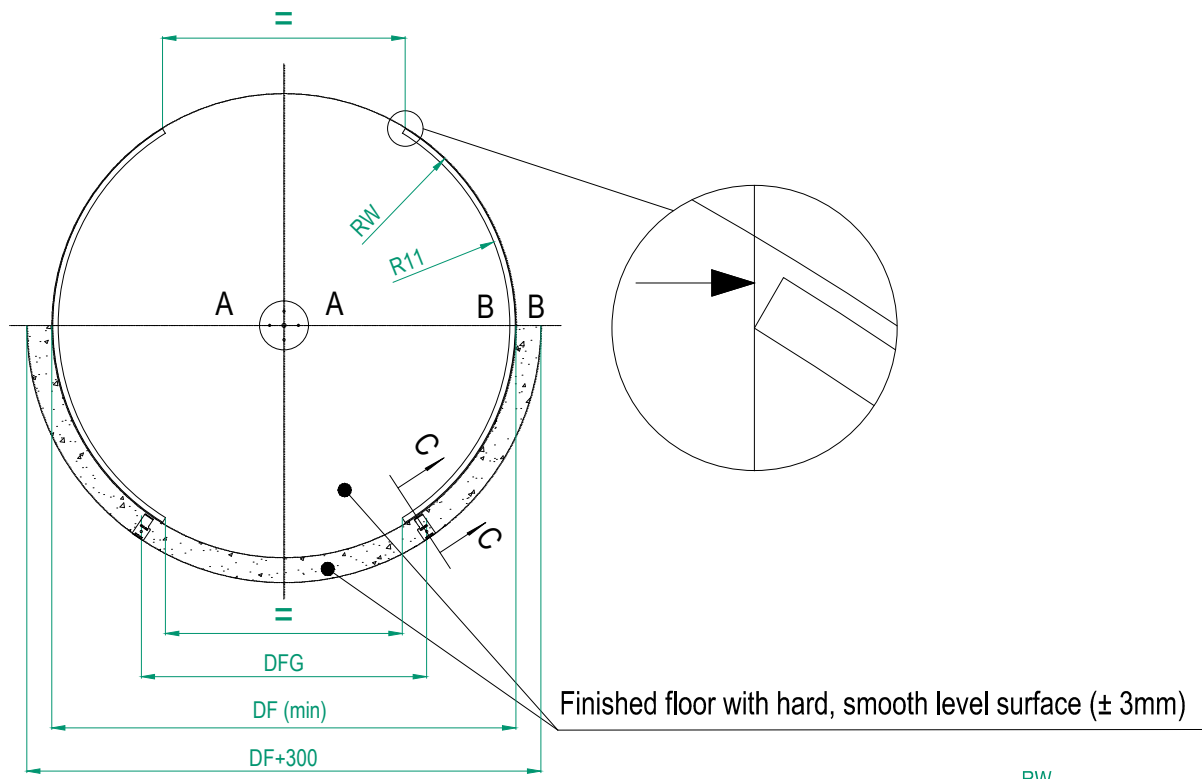
Date: _____

Sign: _____

Revolving door
ASSA ABLOY RD100-3 and ASSA ABLOY RD100-4
Floor preparation

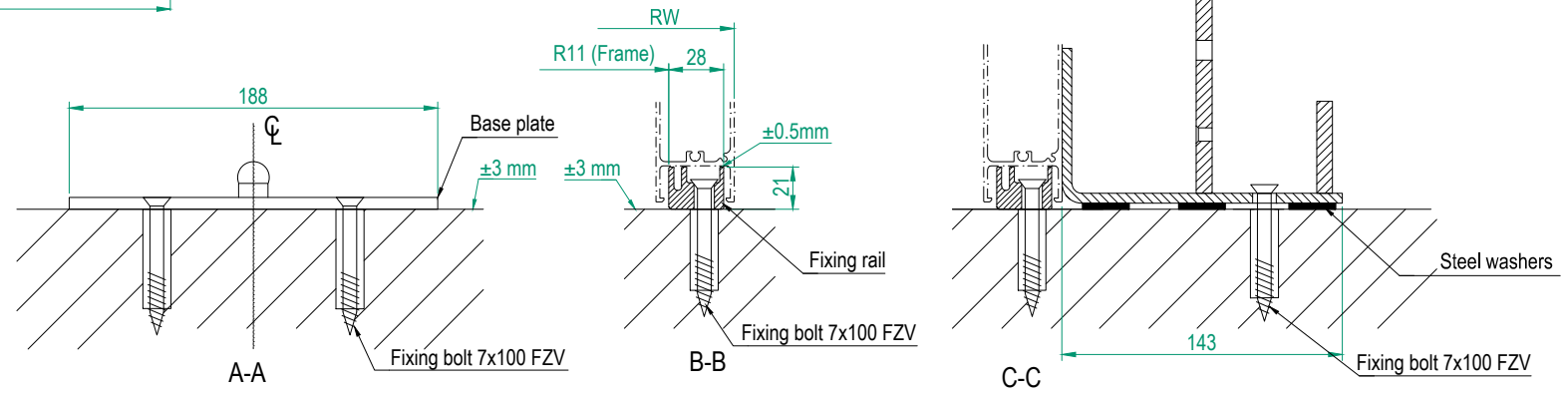
ASSA ABLOY

4.0 1011165-en



RD100	□-18	□-21	□-24	□-27	□-30
DF	1890	2190	2490	2790	3090
DF+300	2190	2490	2790	3090	3390
RW	940	1090	1240	1390	1540
Frame					
R11	906	1056	1206	1356	1506
RD100-3					
DFG	1106	1252	1402	1551	1700
W1	300	330	380	430	480
W2	120	140	160	180	200
RD100-4					
DFG	1528	1734	1947	2156	2367
W1	250	280	330	380	430
W2	170	190	210	230	250

W1 = Weight (kg) distributed over the fixing rail
W2 = Weight (kg) distributed over the base plate



© ASSA ABLOY Entrance Systems AB, 2018
Technical data subject to change without notice.

Customer: _____
Door id: _____
Project No: _____

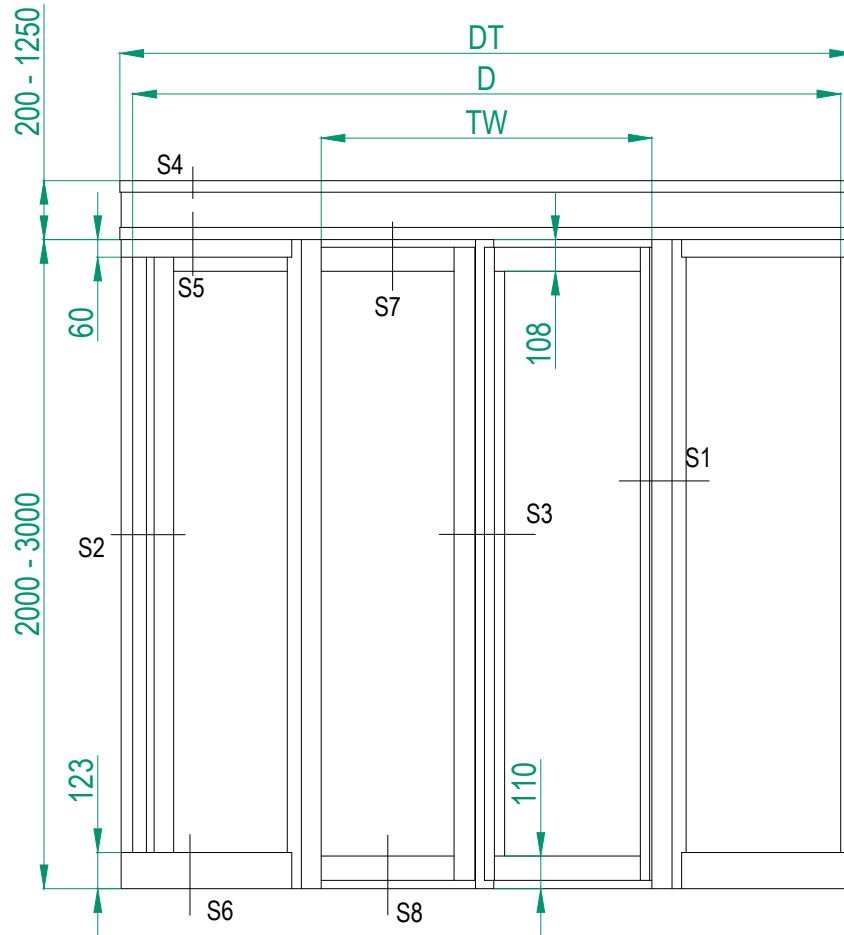
Ref: _____
Date: _____
Sign: _____

Revolving door
ASSA ABLOY RD100-3 and ASSA ABLOY RD100-4
Floor preparation Protect/RC3

ASSA ABLOY

4.0 1011165-en

RD100-3	<input type="checkbox"/> -18	<input type="checkbox"/> -21	<input type="checkbox"/> -24	<input type="checkbox"/> -27	<input type="checkbox"/> -30
D	1800	2100	2400	2700	3000
TW	793	943	1093	1243	1393
DT	1888	2188	2488	2788	3088



STATE WHEN ORDERING

Internal height = mm
 Fascia height = mm

Surface treatment of outer walls and night closing doors

- Stainless steel cladding
- Special anodized
- RAL
- Special powder coating
-

Surface treatment of Frame door leaves

- Stainless steel cladding
- Special anodized
- RAL
- Special powder coating
-

Centre shaft will always be painted black

Push bar

- Vertical push bar
- Horizontal push bar
- No push bar

Note: Push bar is in next layer

Customer: _____

Door id: _____

Project No: _____

Ref: _____

Date: _____

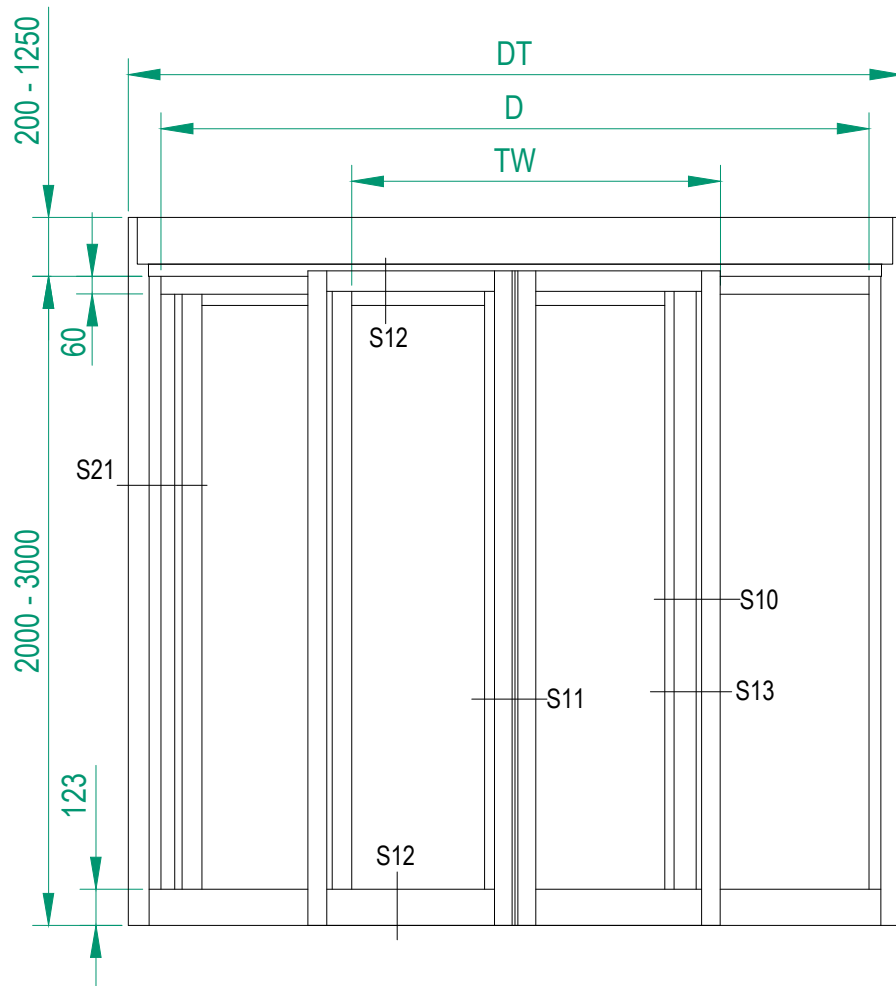
Sign: _____

Revolving door
 ASSA ABLOY RD100-3 Frame
 Front view

ASSA ABLOY

4.0 1011165-en

RD100-3	<input type="checkbox"/> -18	<input type="checkbox"/> -21	<input type="checkbox"/> -24	<input type="checkbox"/> -27	<input type="checkbox"/> -30
D	1800	2100	2400	2700	3000
TW	793	943	1093	1243	1393
DT	2022	2322	2622	2922	3222



STATE WHEN ORDERING

Internal height = mm
 Fascia height = mm

Surface treatment of outer walls and night closing doors

- Stainless steel cladding
- Special anodized
- RAL
- Special powder coating
-

Surface treatment of Frame door leaves

- Stainless steel cladding
- Special anodized
- RAL
- Special powder coating
-

Centre shaft will always be painted black

Push bar

- Vertical push bar
- Horizontal push bar
- No push bar

Customer: _____
 Door id: _____
 Project No: _____

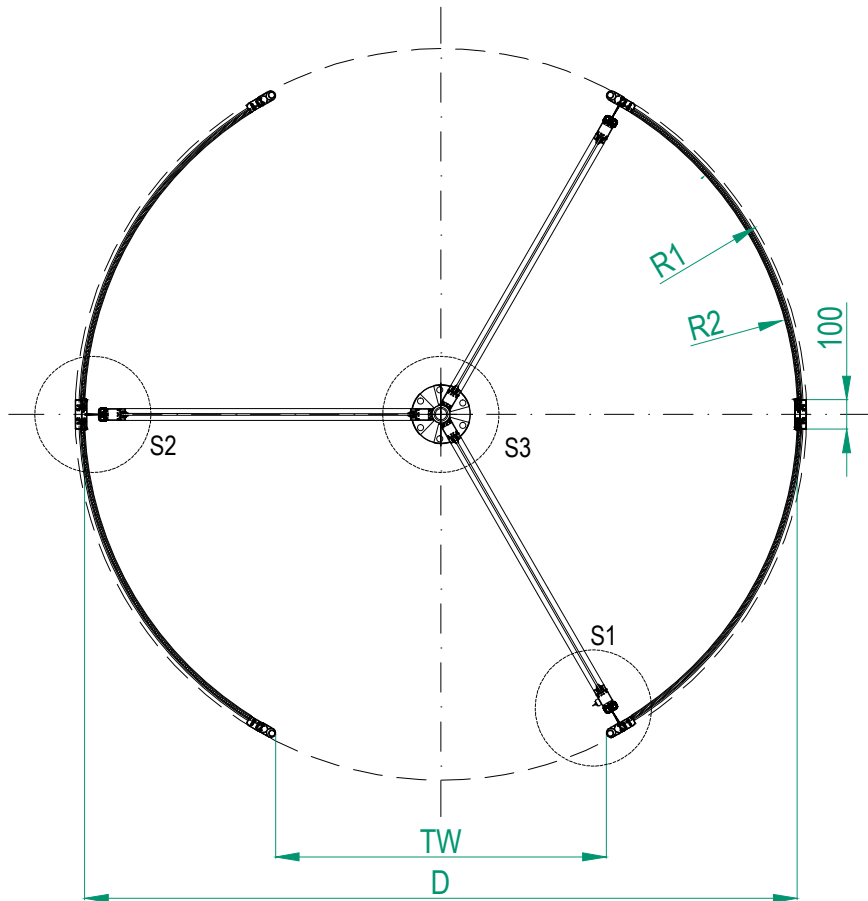
Ref: _____
 Date: _____
 Sign: _____

Revolving door
 ASSA ABLOY RD100-3 Frame NCD
 Front view

ASSA ABLOY

4.0 1011165-en

RD100-3	□-18	□-21	□-24	□-27	□-30
D	1800	2100	2400	2700	3000
TW	793	943	1093	1243	1393
R1	940	1090	1240	1390	1540
R2	900	1050	1200	1350	1500
A(option)	757.4	907.4	1057.4	1207.4	1357.4



Note: Push bar is in next layer

© ASSA ABLOY Entrance Systems AB, 2018
 Technical data subject to change without notice.

Customer:	Ref:
Door id:	Date:
Project No:	Sign:

Ref:
Date:
Sign:

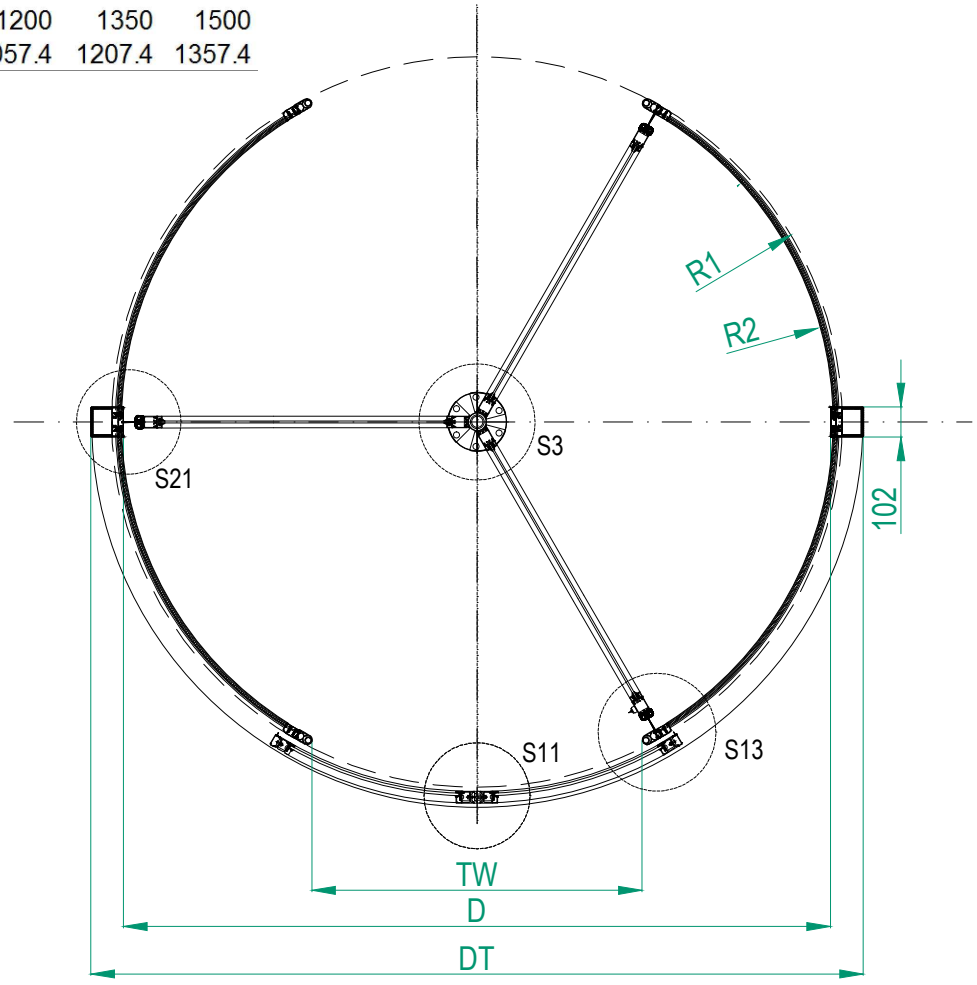
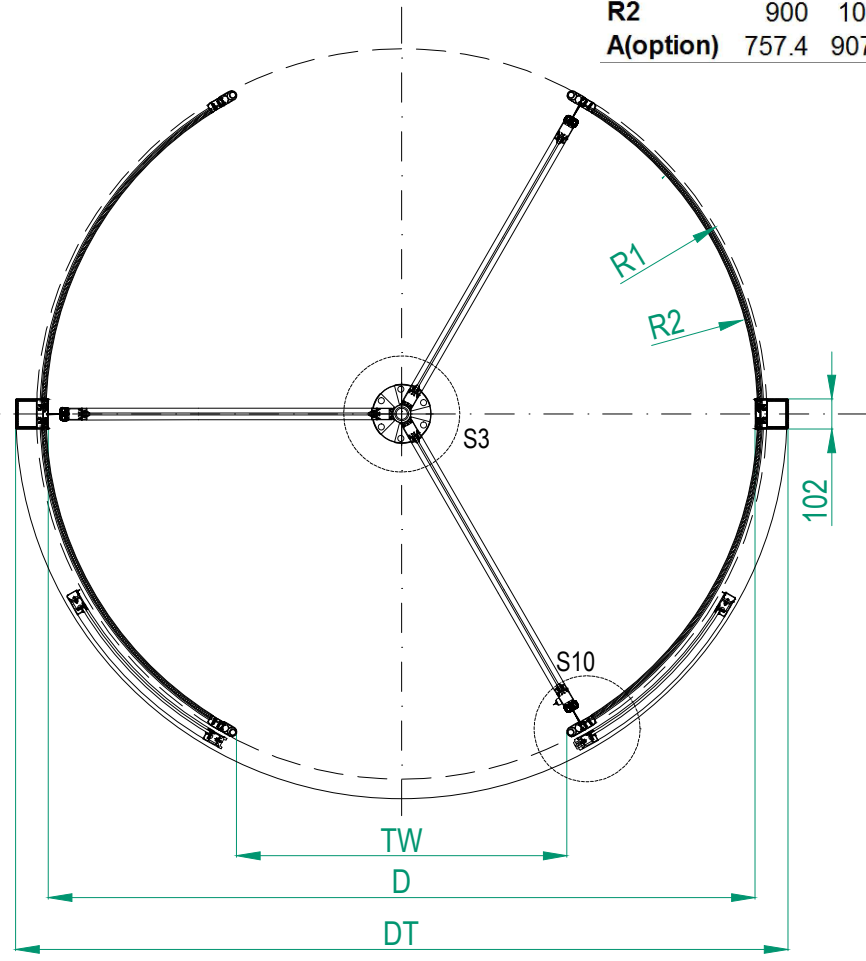
Revolving door
 ASSA ABLOY RD100-3 Frame
 Top view

ASSA ABLOY

4.0 1011165-en

RD100-3	□-18	□-21	□-24	□-27	□-30
D	1800	2100	2400	2700	3000
TW	793	943	1093	1243	1393
DT	2022	2322	2622	2922	3222
R1	940	1090	1240	1390	1540
R2	900	1050	1200	1350	1500
A(option)	757.4	907.4	1057.4	1207.4	1357.4

Note: Push bar is in next layer



© ASSA ABLOY Entrance Systems AB, 2018
Technical data subject to change without notice.

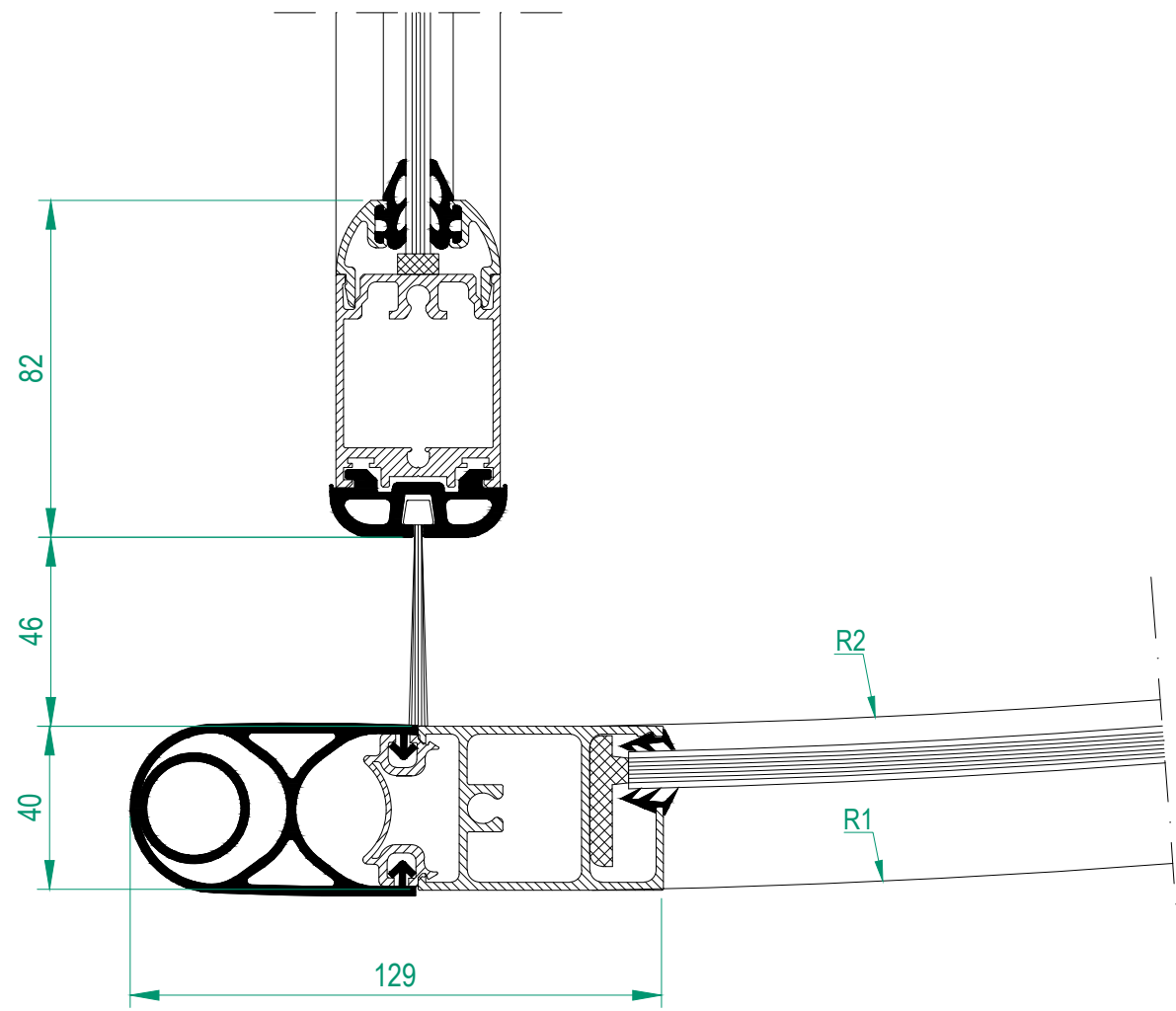
Customer:	Ref:
Door id:	Date:
Project No.:	Sign:

Ref:
Date:
Sign:

Revolving door
ASSA ABLOY RD100-3 Frame NCD
Top view

ASSA ABLOY

4.0 1011165-en

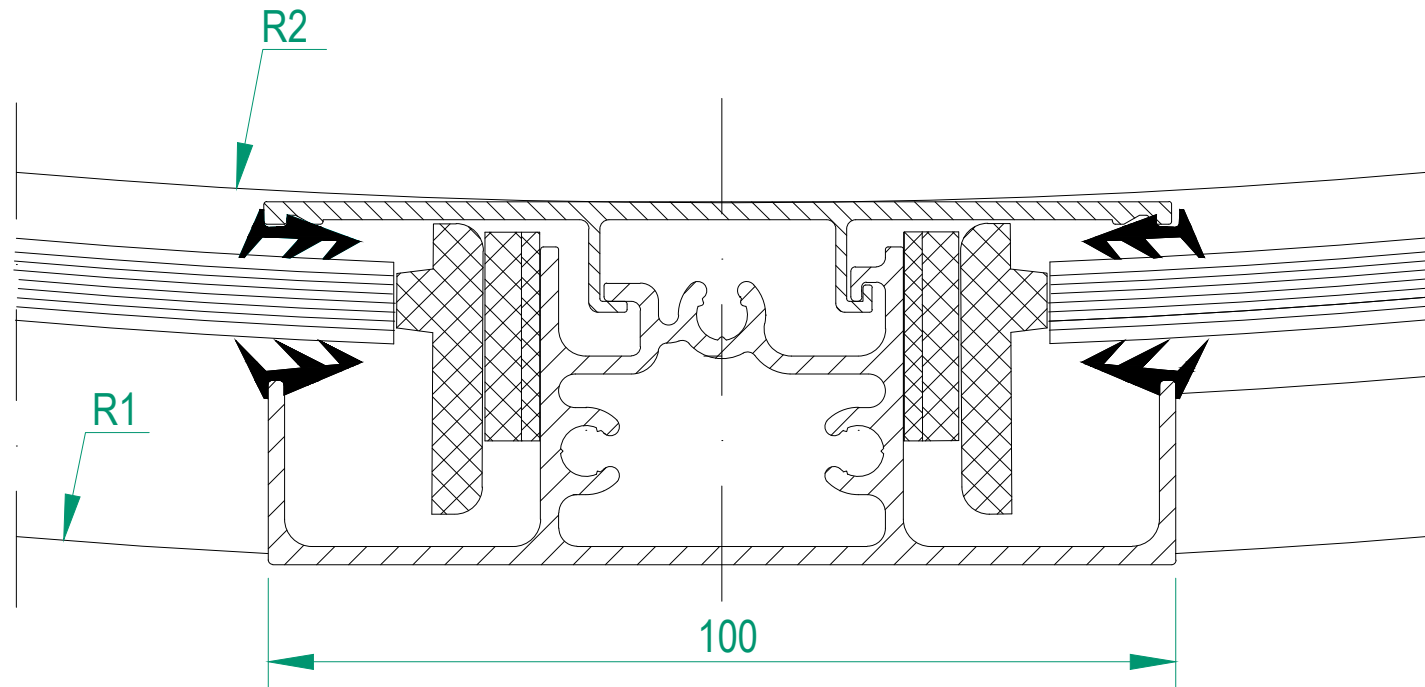


Customer:
Door id:
Project No:

Ref:
Date:
Sign:

Revolving door
ASSA ABLOY RD100-3 and ASSA ABLOY RD100-4 Frame
Section Door - wall
Section 1

ASSA ABLOY	
4.0	1011165-en



Customer:

Ref:

Door id:

Date:

Project No:

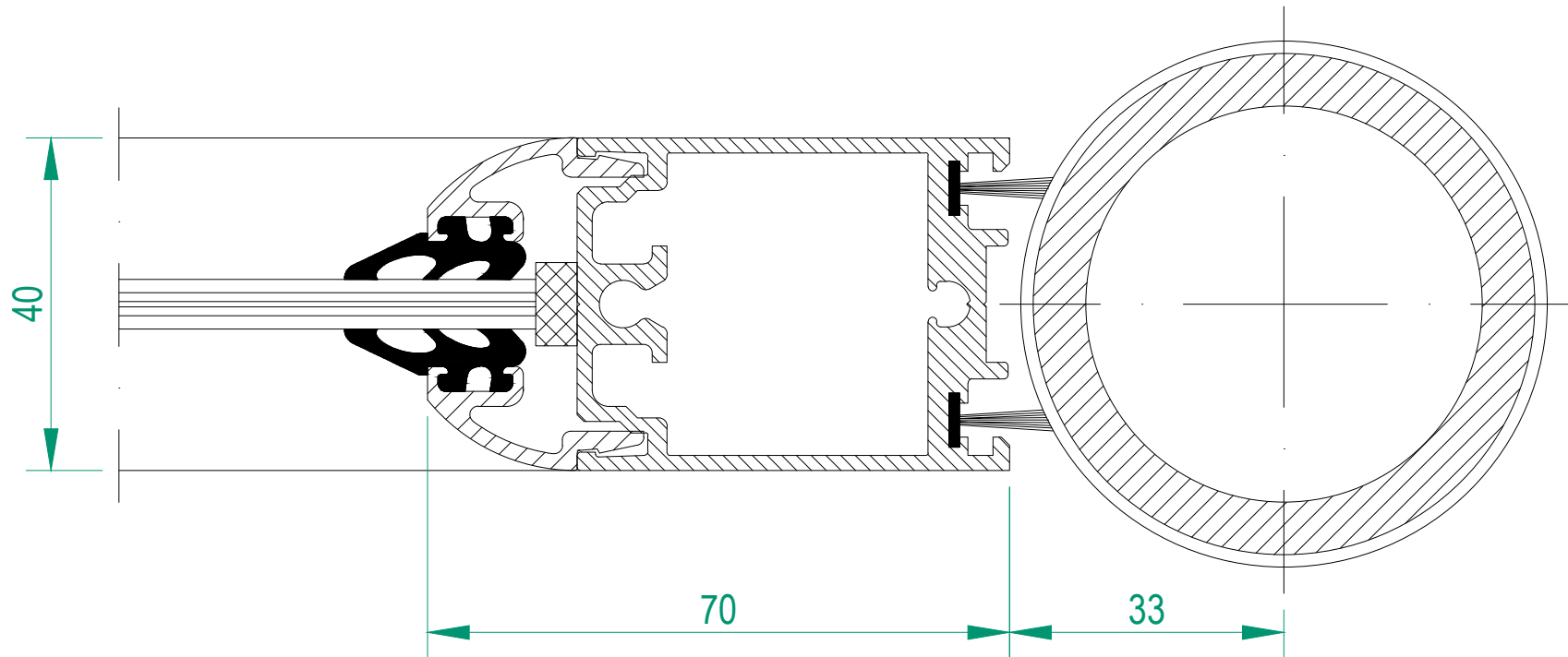
Sign:

Revolving door
ASSA ABLOY RD100-3 and ASSA ABLOY RD100-4 Frame
Section wall mullion
Section 2

ASSA ABLOY

4.0

1011165-en



© ASSA ABLOY Entrance Systems AB, 2018
 Technical data subject to change without notice.

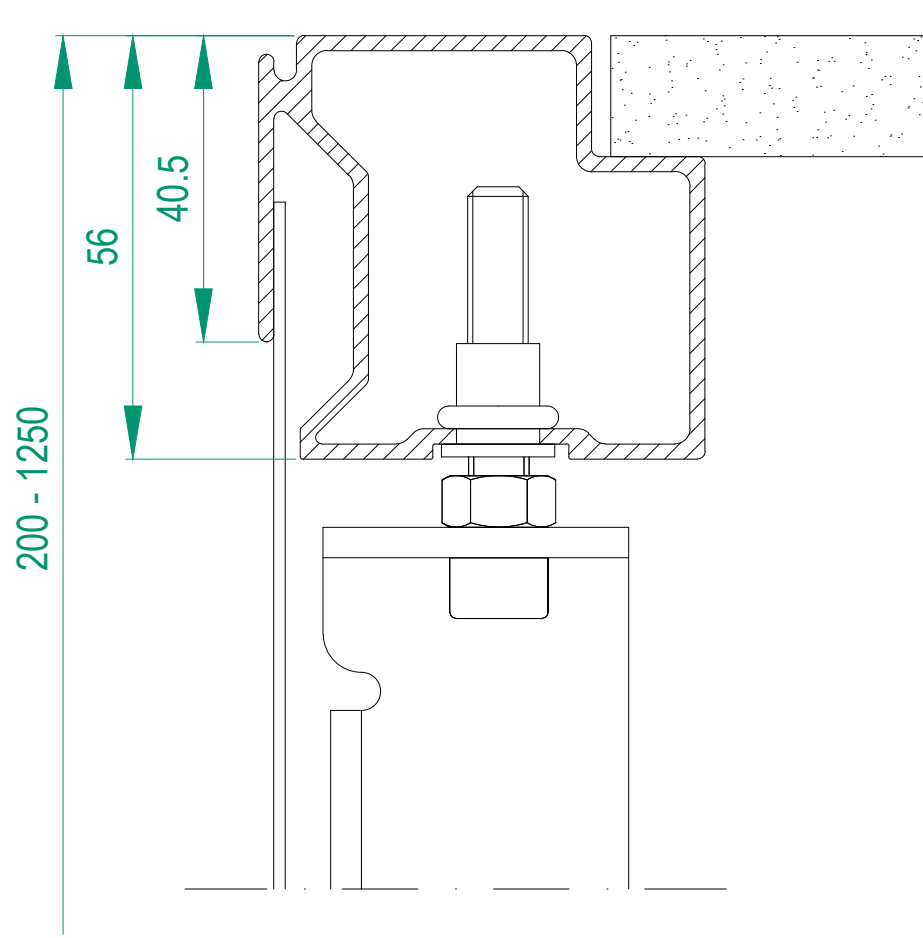
Customer:	Ref:
Door id:	Date:
Project No.:	Sign:

Ref:
Date:
Sign:

Revolving door
 ASSA ABLOY RD100-3 and ASSA ABLOY RD100-4 Frame
 Section center shaft - door
 Section 3

ASSA ABLOY

4.0 1011165-en

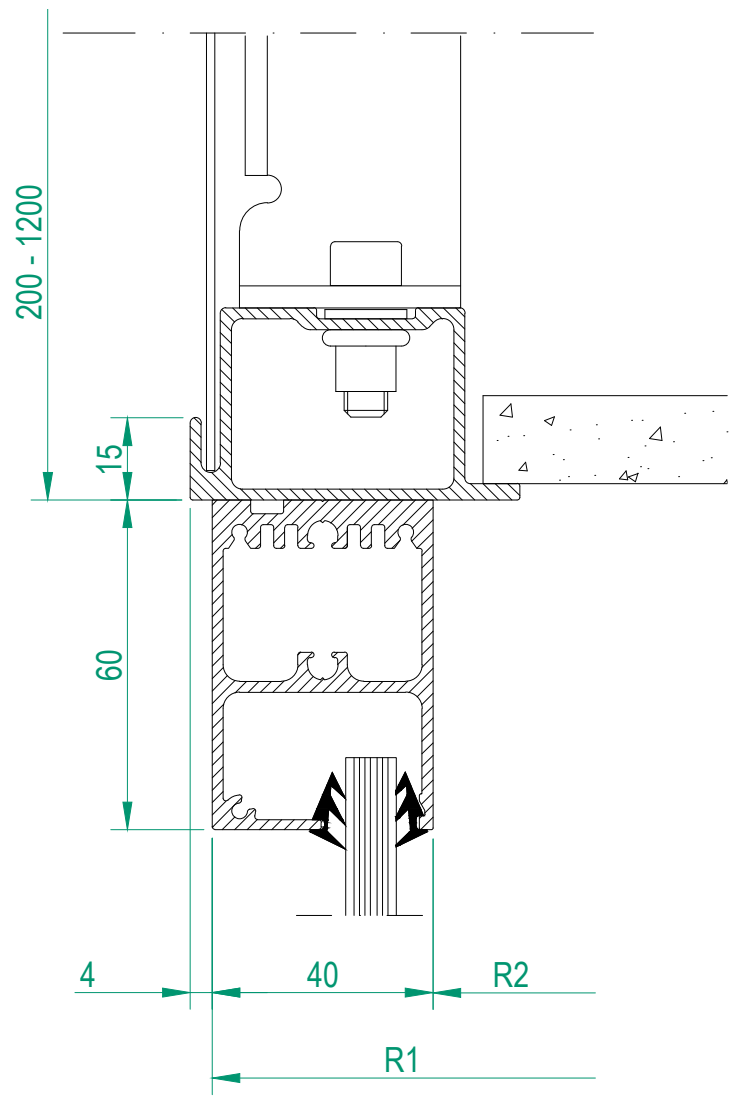


Customer:
Door id:
Project No:

Ref:
Date:
Sign:

Revolving door
ASSA ABLOY RD100-3 and ASSA ABLOY RD100-4 Frame
Section top of fascia
Section 4

ASSA ABLOY	
4.0	1011165-en

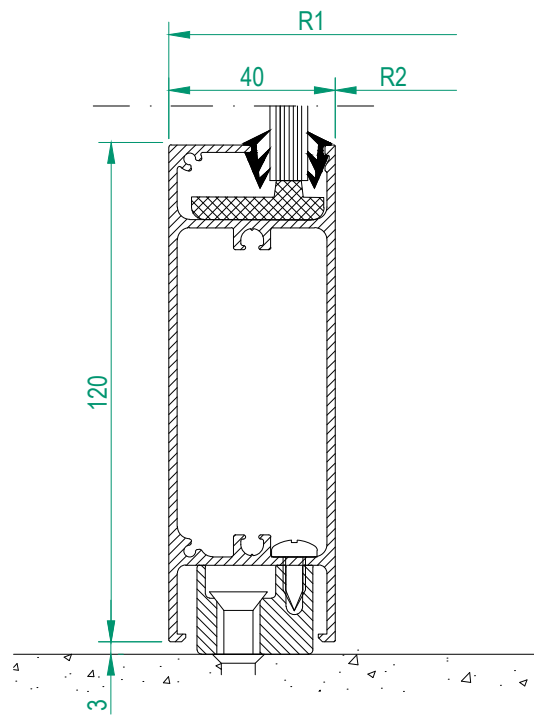


Customer:
Door id:
Project No.:

Ref:
Date:
Sign:

Revolving door
ASSA ABLOY RD100-3 and ASSA ABLOY RD100-4 Frame
Section outer wall - fascia
Section 5

ASSA ABLOY	
4.0	1011165-en



- Without ground ring
- With ground ring

Customer:

Ref:

Door id:

Date:

Project No.:

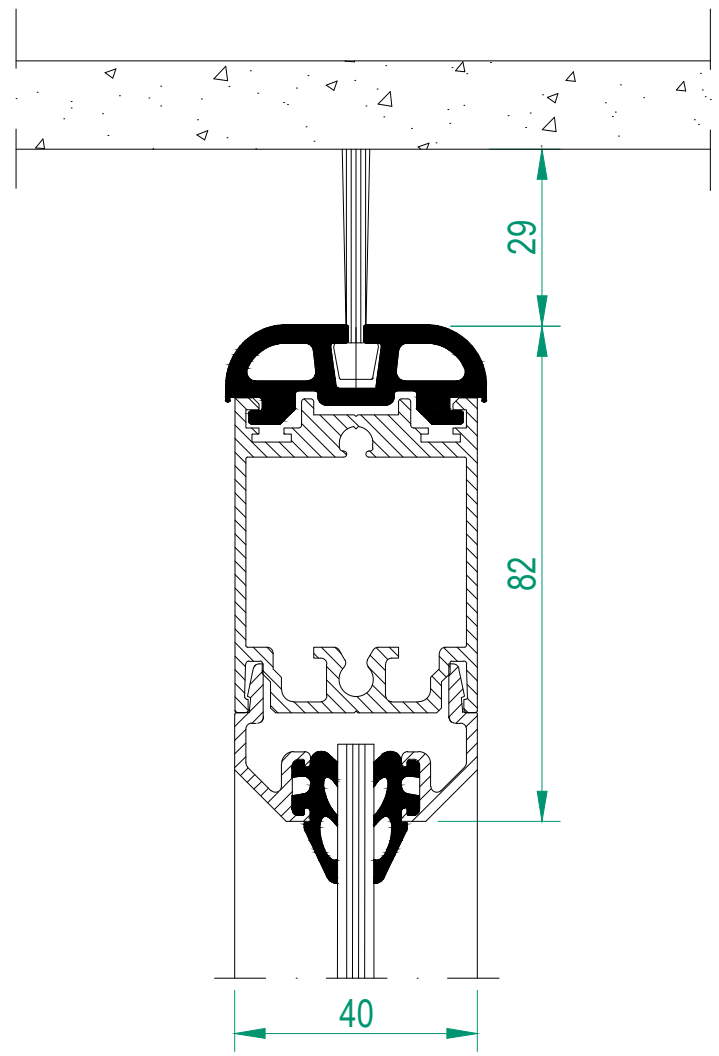
Sign:

Revolving door
ASSA ABLOY RD100-3 and ASSA ABLOY RD100-4 Frame
Section bottom - outer wall
Section 6



4.0

1011165-en

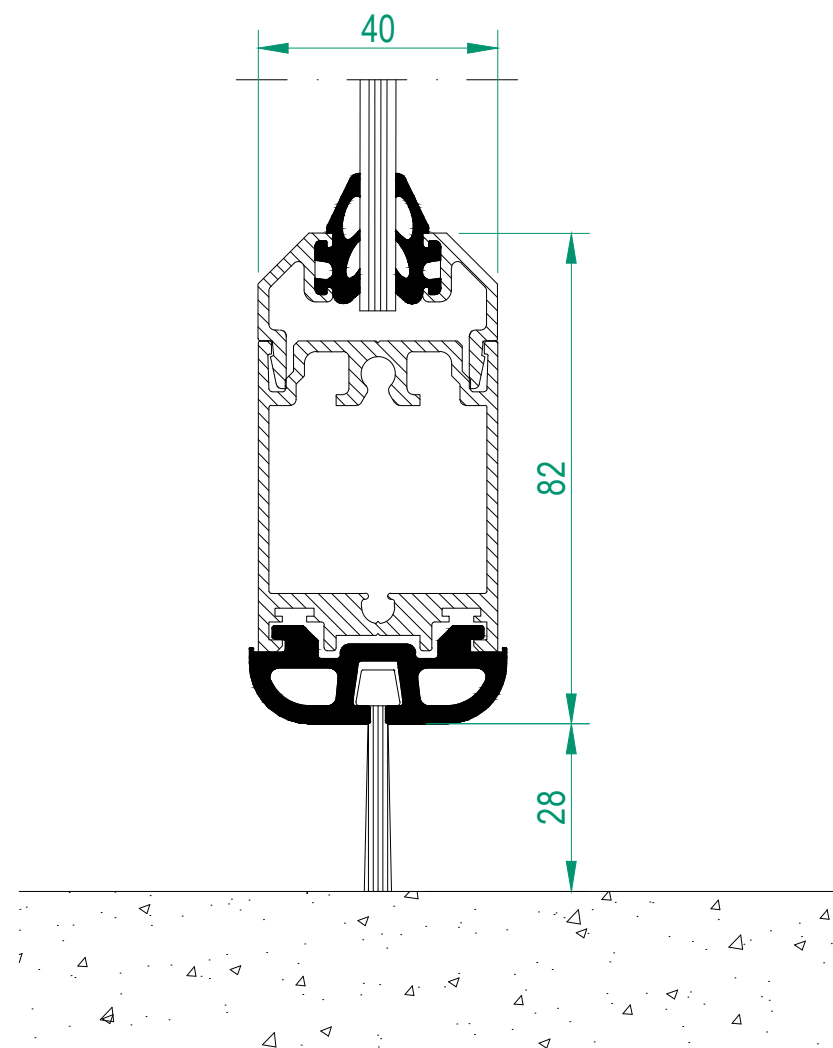


Customer:
Door id:
Project No.:

Ref:
Date:
Sign:

Revolving door
ASSA ABLOY RD100-3 and ASSA ABLOY RD100-4 Frame
Section ceiling - door
Section 7

ASSA ABLOY	
4.0	1011165-en



Customer:

Ref:

Door id:

Date:

Project No.:

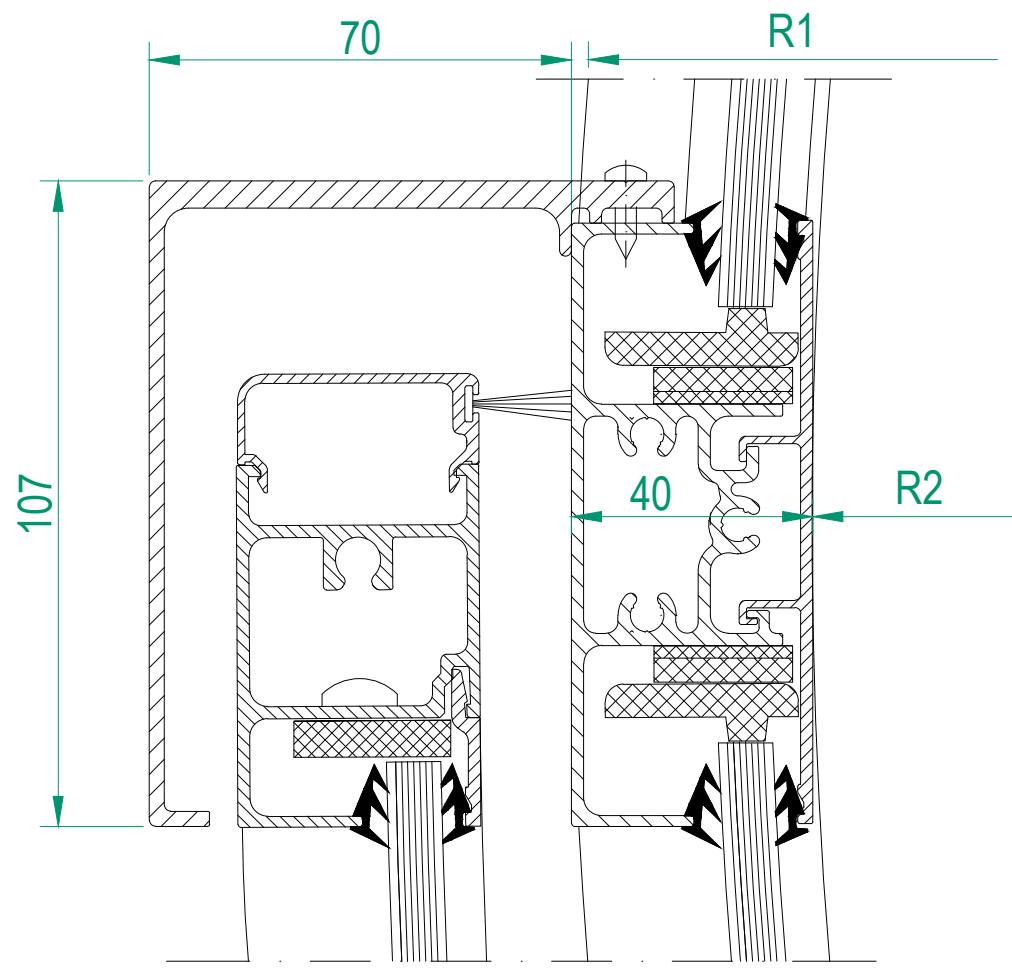
Sign:

Revolving door
ASSA ABLOY RD100-3 and ASSA ABLOY RD100-4 Frame
Section Floor - door
Section 8

ASSA ABLOY

4.0

1011165-en

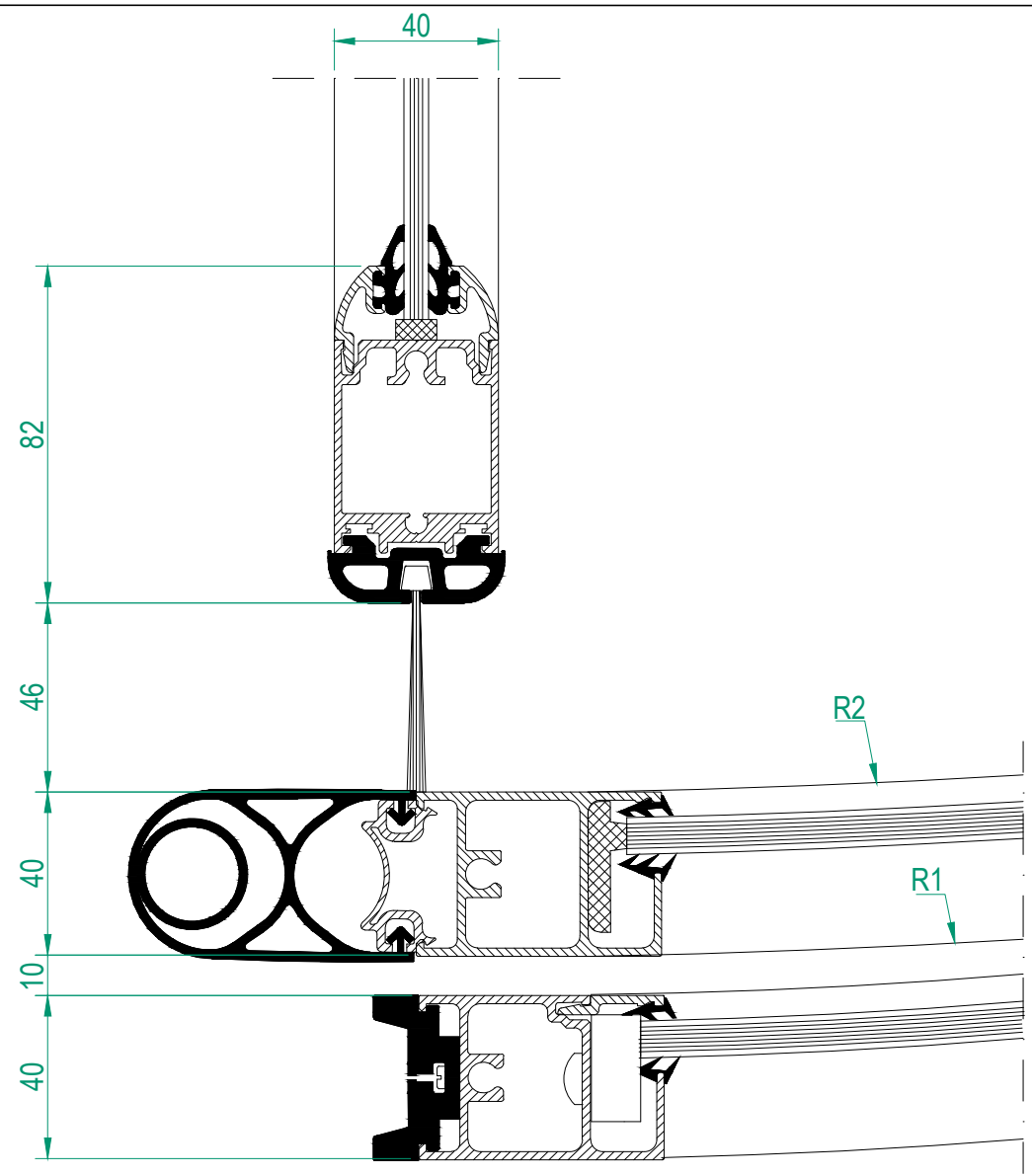


Customer:
Door id:
Project No:

Ref:
Date:
Sign:

Revolving door
ASSA ABLOY RD100-4 Frame NCD
Section NCD slam post
Section 9

ASSA ABLOY	
4.0	1011165-en



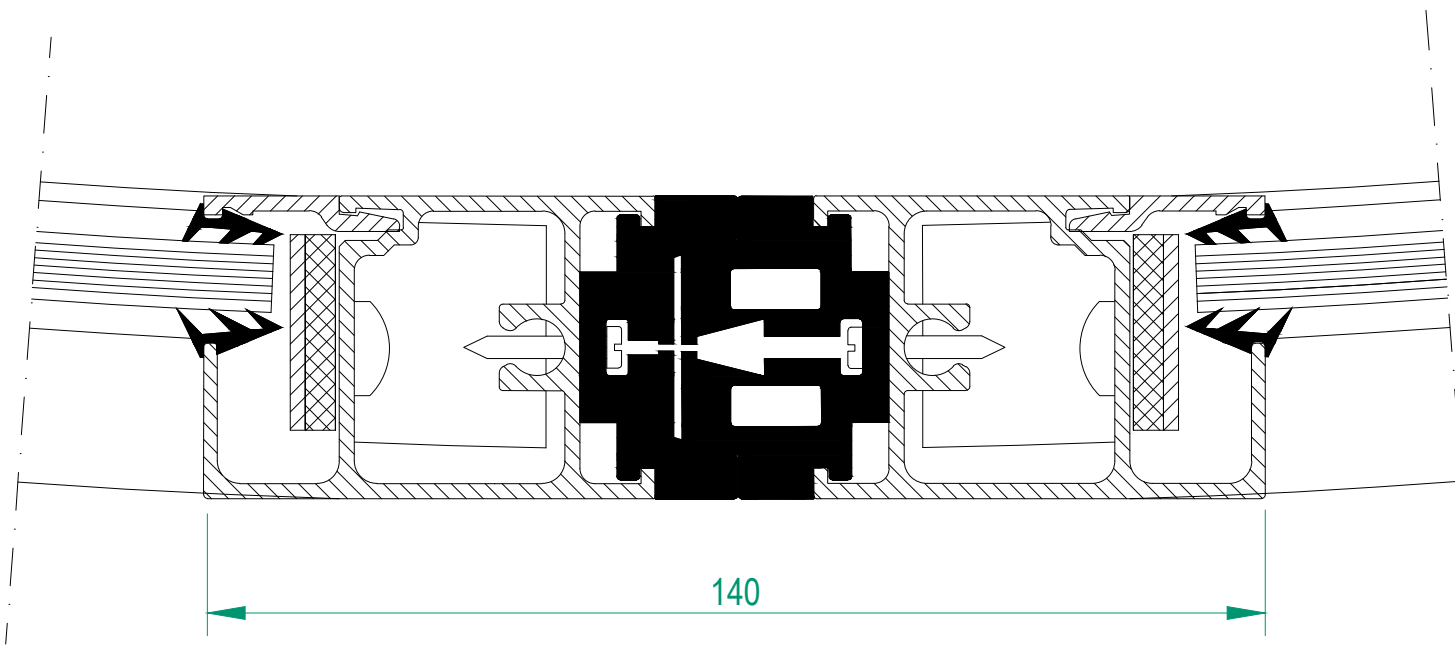
Customer:	Ref:
Door id:	Date:
Project No.:	Sign:

Ref:
Date:
Sign:

Revolving door
ASSA ABLOY RD100-3 and ASSA ABLOY RD100-4
Frame NCD
Section Door - wall
Section 10

ASSA ABLOY

4.0 1011165-en



© ASSA ABLOY Entrance Systems AB, 2018
 Technical data subject to change without notice.

Customer:

Ref:

Door id:

Date:

Project No.:

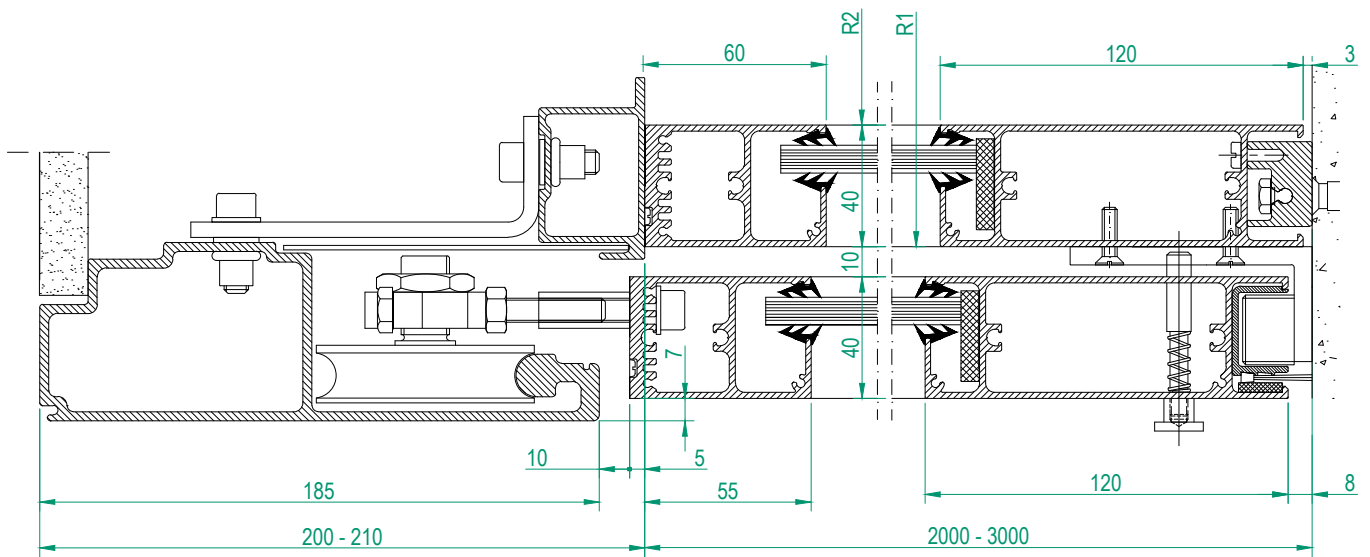
Sign:

Revolving door
 ASSA ABLOY RD100-3 and ASSA ABLOY RD100-4
 Frame NCD
 Section NCD - NCD
 Section 11

ASSA ABLOY

4.0

1011165-en



- Standard fascia
- Extended fascia 280
- Extended fascia 1250
- Water resistant cover 180°
- Water resistant cover 360°
- Without ground ring
- With ground ring

© ASSA ABLOY Entrance Systems AB, 2018
 Technical data subject to change without notice.

Customer: _____

Door id: _____

Project No: _____

Ref: _____

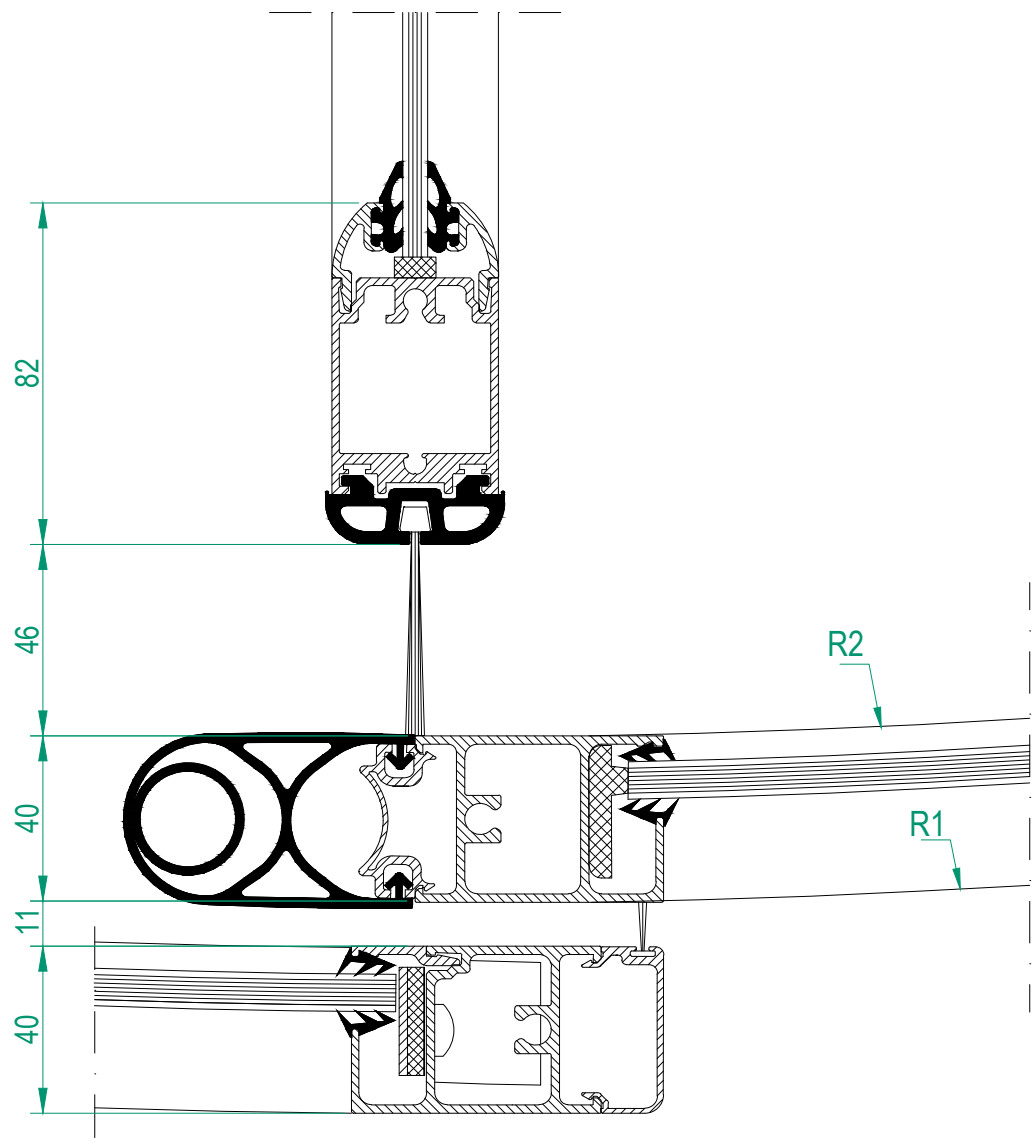
Date: _____

Sign: _____

Revolving door
 ASSA ABLOY RD100-3 and ASSA ABLOY RD100-4
 Frame NCD
 Section NCD Standard fascia
 Section 12

ASSA ABLOY

4.0 1011165-en

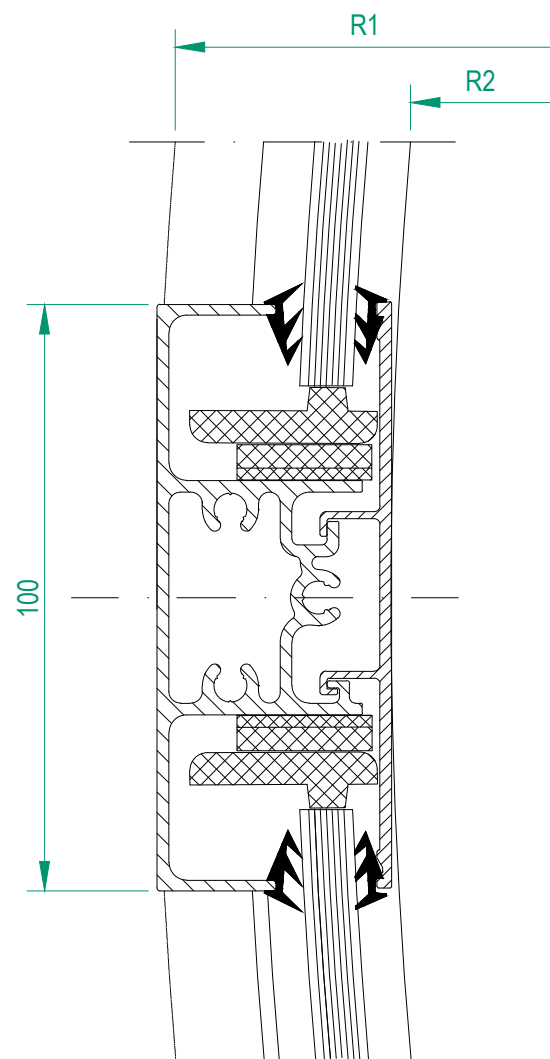


Customer:
Door id:
Project No:

Ref:
Date:
Sign:

Revolving door
ASSA ABLOY RD100-3 and ASSA ABLOY RD100-4
Frame NCD
Section Door - wall
Section 13

ASSA ABLOY	
4.0	1011165-en



Customer:

Ref:

Door id:

Date:

Project No.:

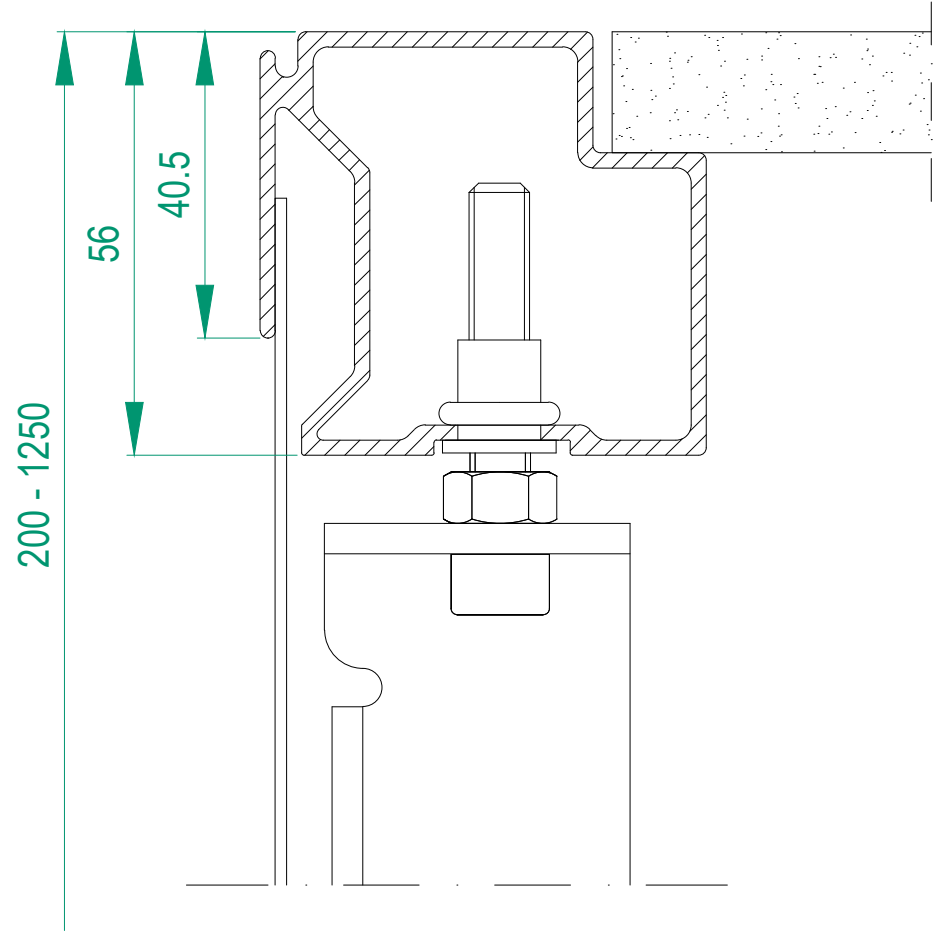
Sign:

Revolving door
ASSA ABLOY RD100-3 and ASSA ABLOY RD100-4 Slim
Section wall mullion
Section 14

ASSA ABLOY

4.0

1011165-en

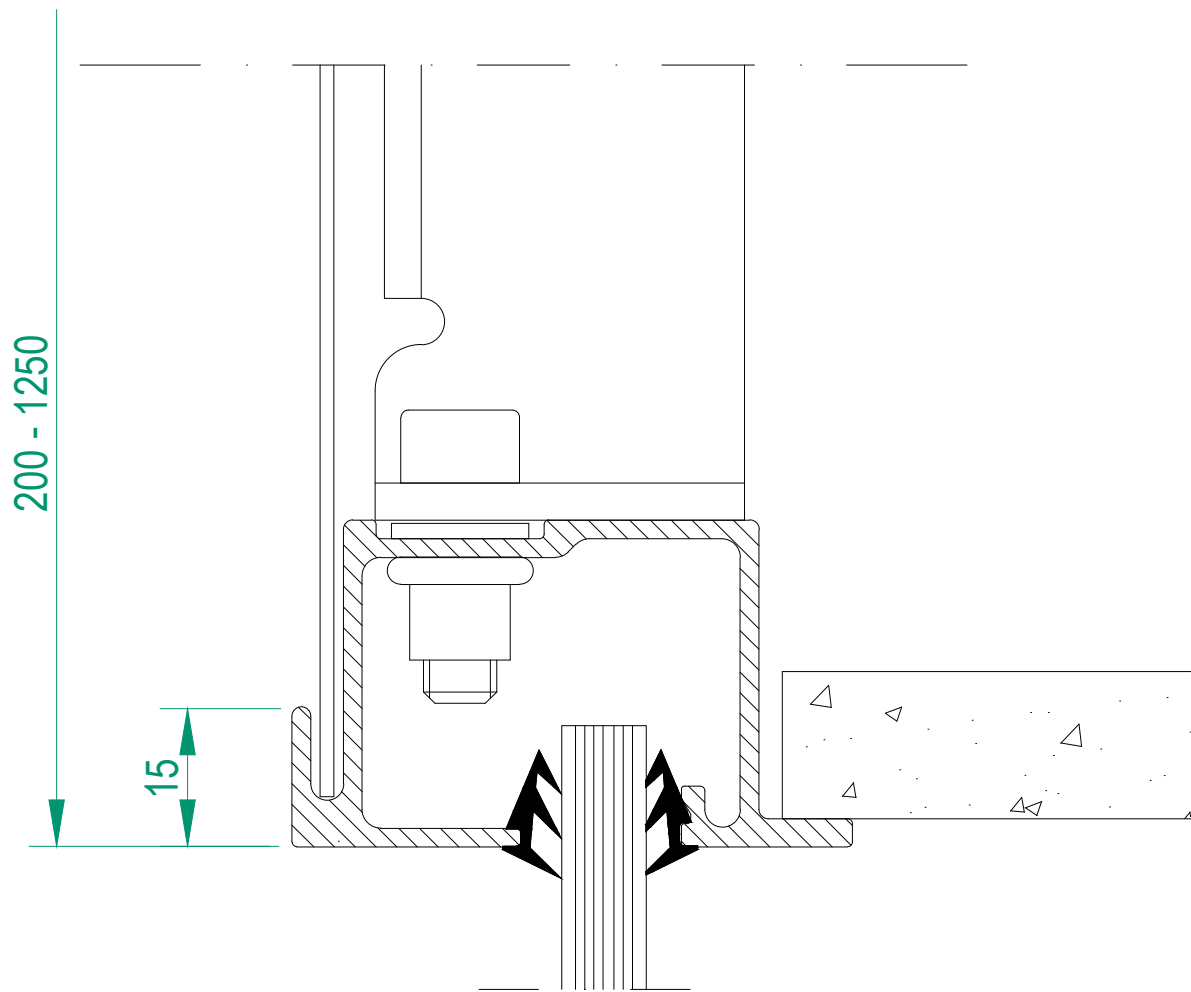


Customer:
Door id:
Project No:

Ref:
Date:
Sign:

Revolving door
ASSA ABLOY RD100-3 and ASSA ABLOY RD100-4 Slim
Section top of fascia
Section 15

ASSA ABLOY	
4.0	1011165-en

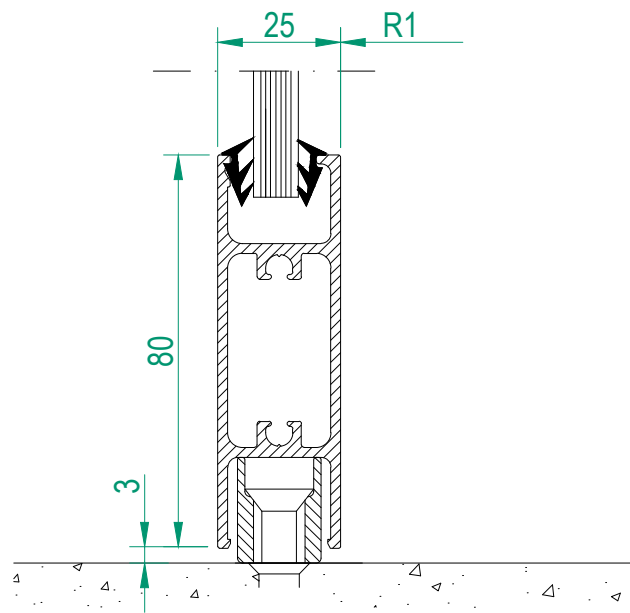


Customer:
Door id:
Project No:

Ref:
Date:
Sign:

Revolving door
ASSA ABLOY RD100-3 and ASSA ABLOY RD100-4 Slim
Section outer wall - fascia
Section 16

ASSA ABLOY
4.0
1011165-en



- Without ground ring
- With ground ring

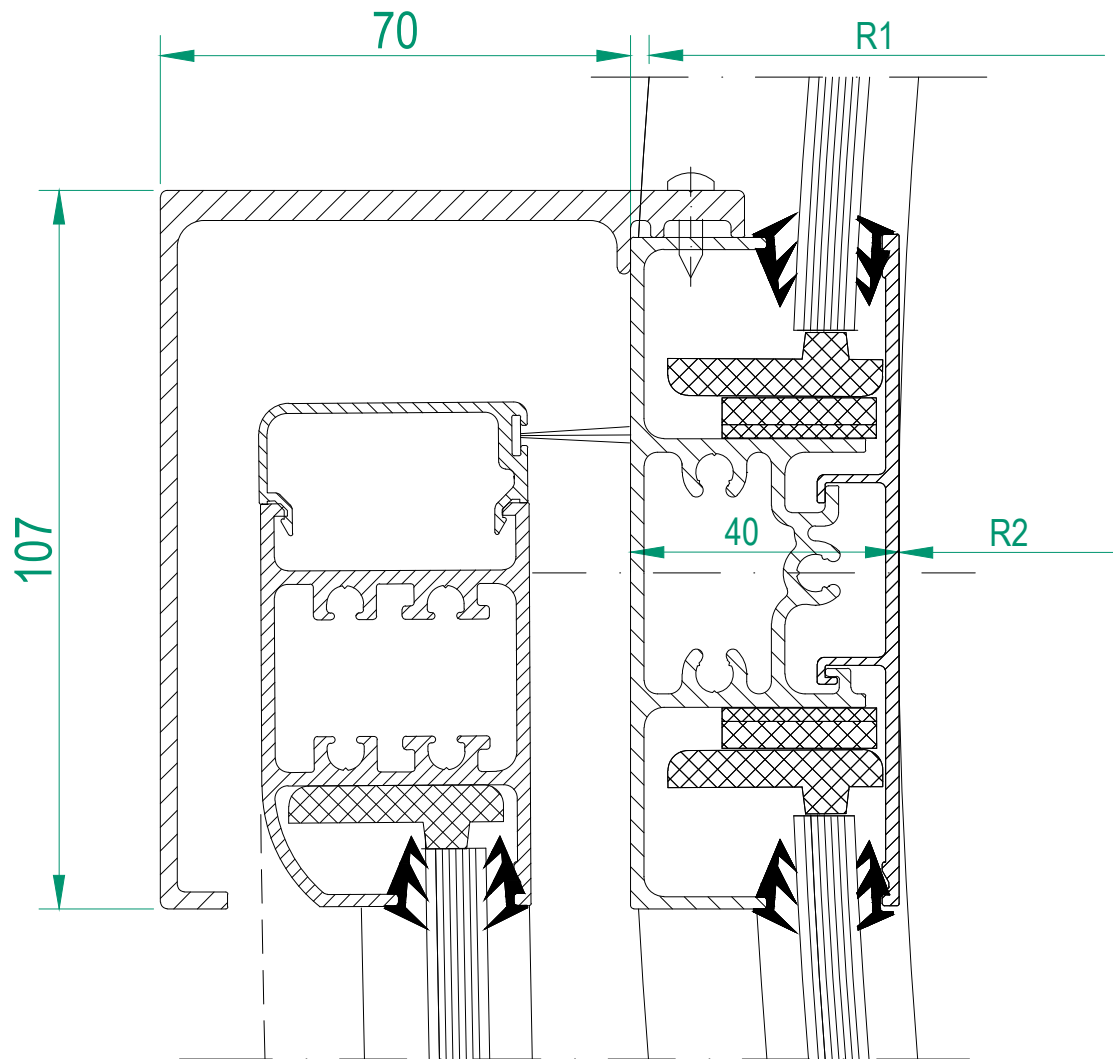
Customer:
Door id:
Project No:

Ref:
Date:
Sign:

Revolving door
ASSA ABLOY RD100-3 and ASSA ABLOY RD100-4 Slim
Section bottom - outer wall
Section 17

ASSA ABLOY

4.0 1011165-en



Customer:

Ref:

Door id:

Date:

Project No.:

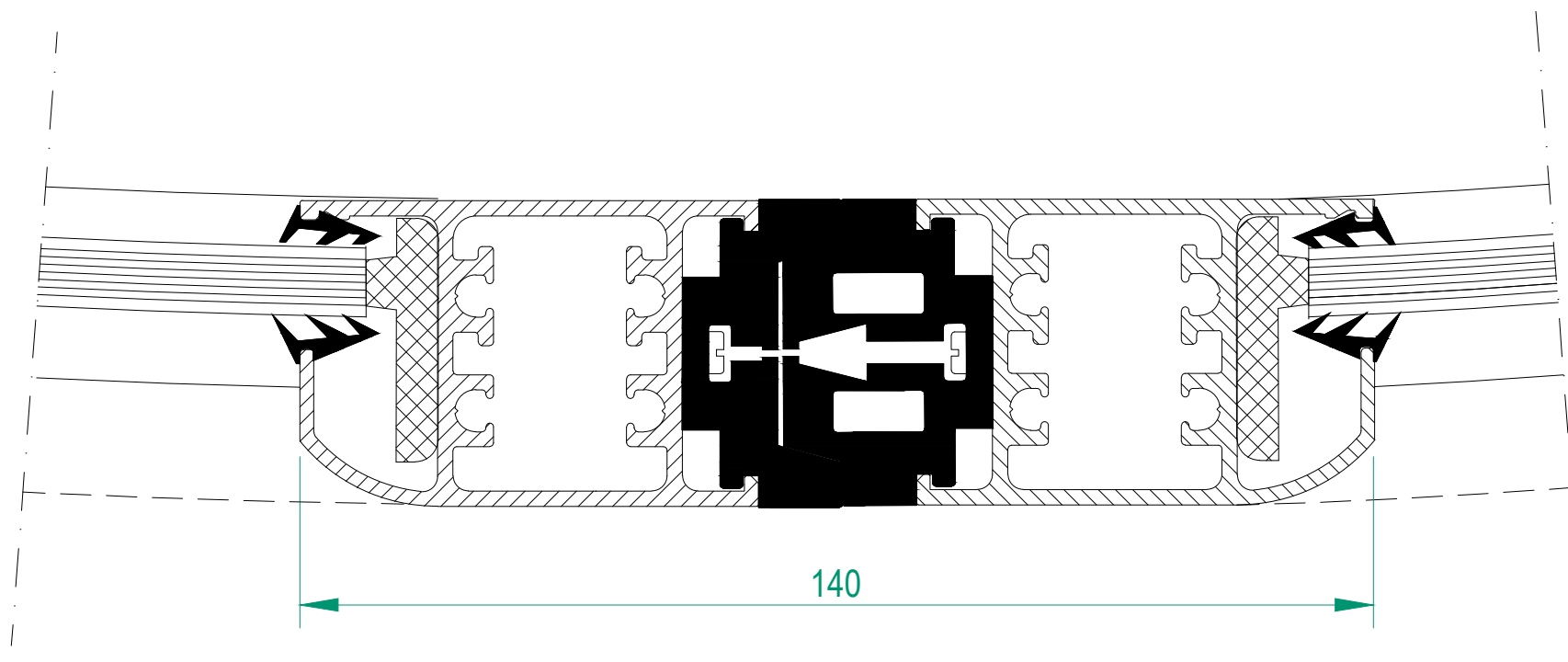
Sign:

Revolving door
ASSA ABLOY RD100-4 Slim NCD
Section NCD slam post
Section 18

ASSA ABLOY

4.0

1011165-en



Customer:

Ref:

Door id:

Date:

Project No:

Sign:

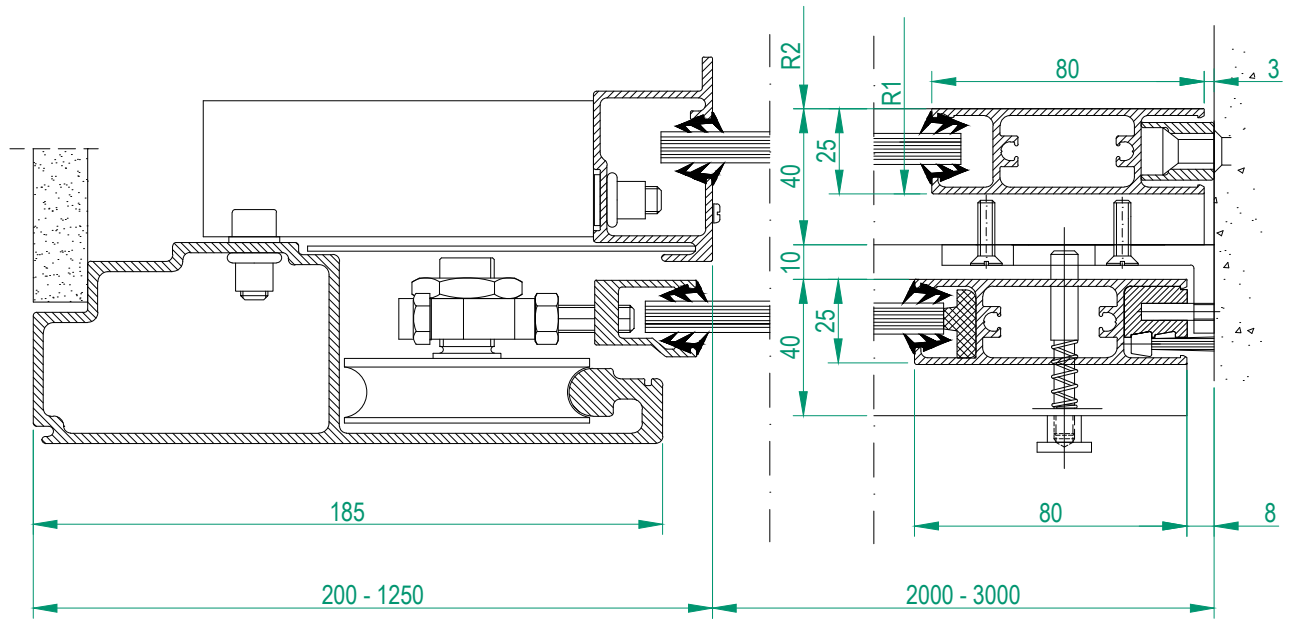
Revolving door
ASSA ABLOY RD100-3 and ASSA ABLOY RD100-4
Slim NCD
Section NCD-NCD
Section 19

ASSA ABLOY

4.0

1011165-en

- Standard fascia
- Extended fascia 280
- Extended fascia 1250
- Water resistant cover 180°
- Water resistant cover 360°
- Without ground ring
- With ground ring



Customer: _____

Door id: _____

Project No: _____

Ref: _____

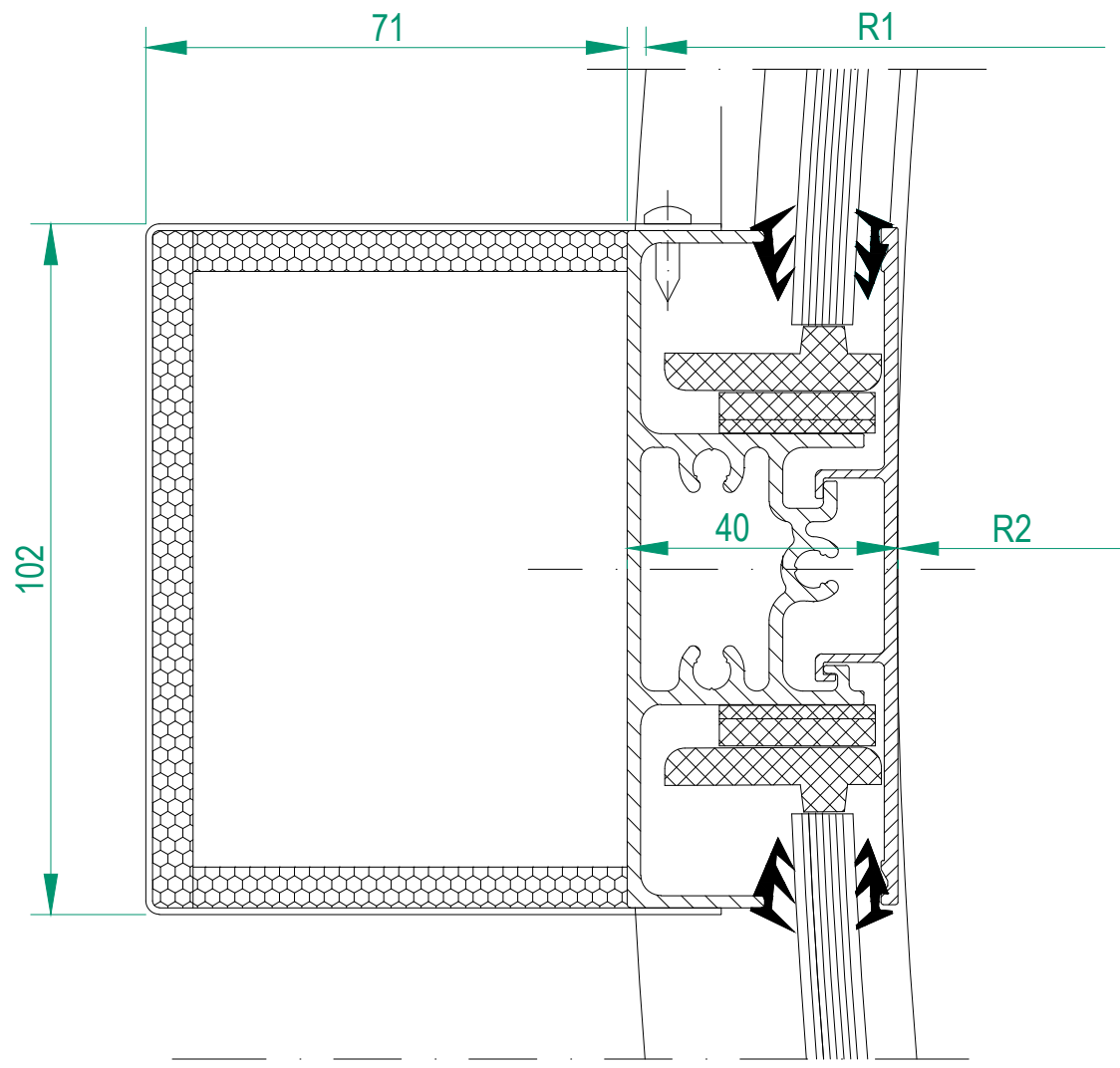
Date: _____

Sign: _____

Revolving door
 ASSA ABLOY RD100-3 and ASSA ABLOY RD100-4
 Slim NCD
 Section NCD standard fascia
 Section 20

ASSA ABLOY

4.0 1011165-en



© ASSA ABLOY Entrance Systems AB, 2018
 Technical data subject to change without notice.

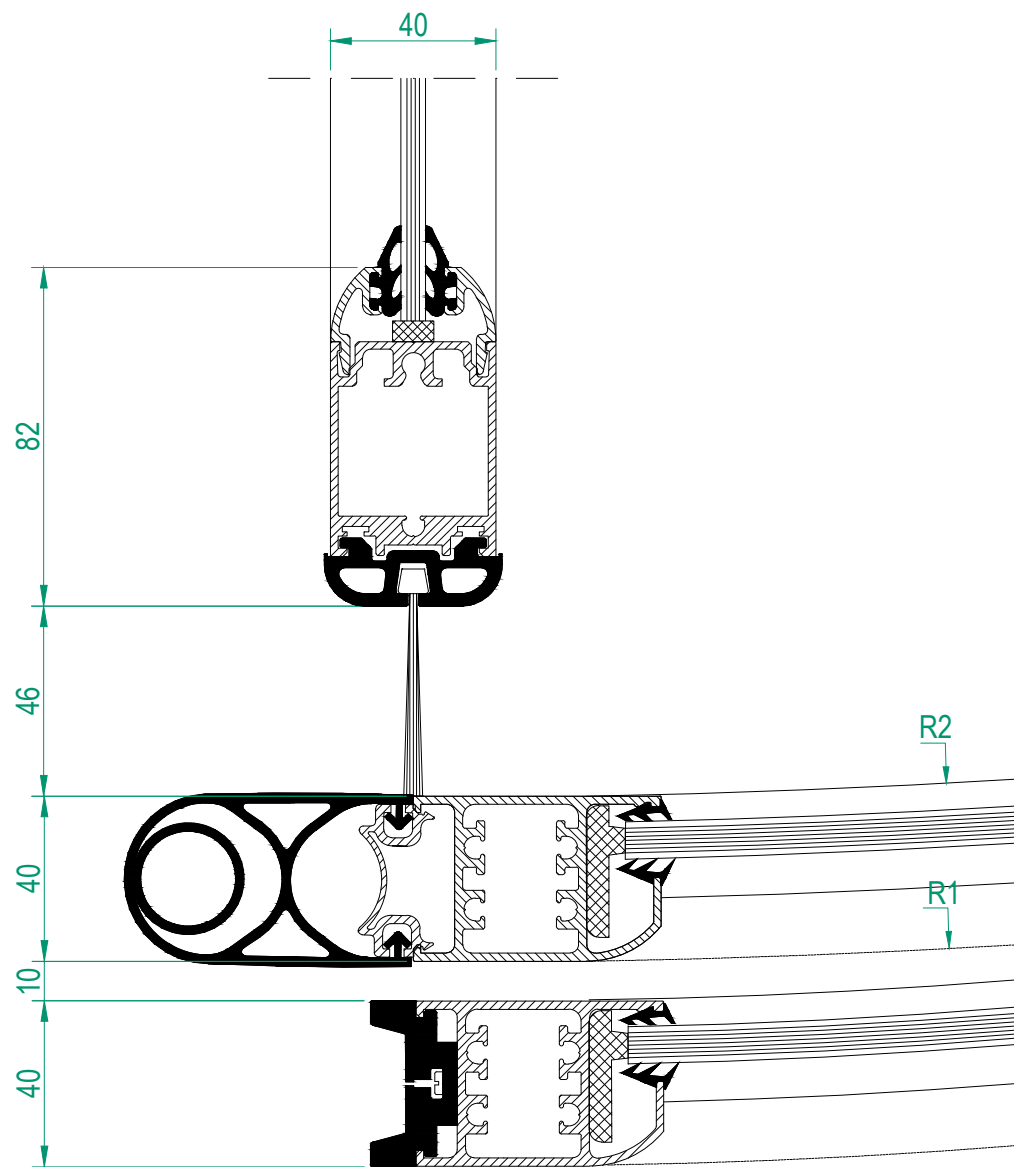
Customer:	Ref:
Door id:	Date:
Project No.:	Sign:

Ref:
Date:
Sign:

Revolving door
 ASSA ABLOY RD100-3 Frame NCD
 Section NCD slam post
 Section 21

ASSA ABLOY

4.0 1011165-en



Customer:

Ref:

Door id:

Date:

Project No:

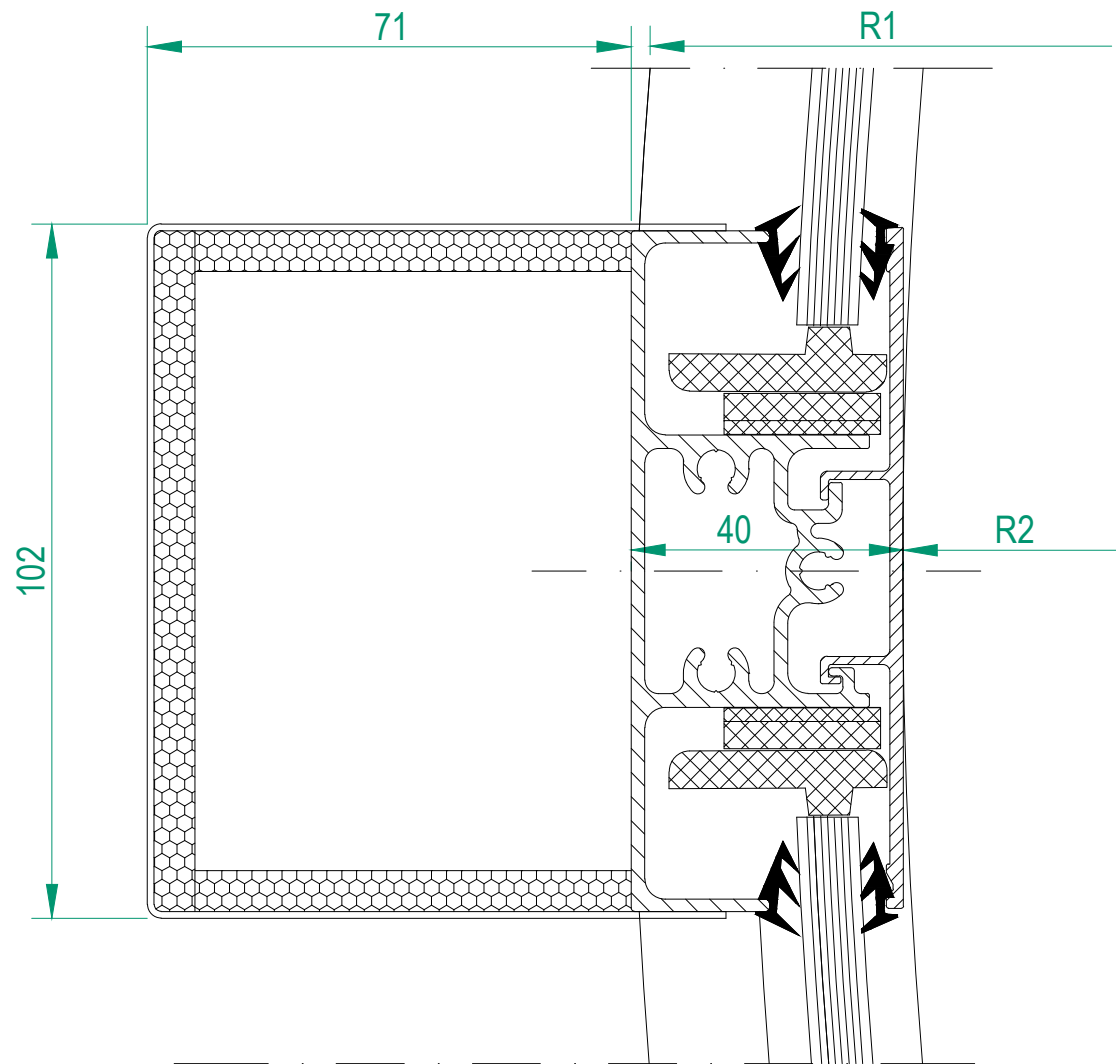
Sign:

Revolving door
ASSA ABLOY RD100-3 and ASSA ABLOY RD100-4
Slim wall - Frame door leaf NCD
Section door - wall
Section 22

ASSA ABLOY

4.0

1011165-en



© ASSA ABLOY Entrance Systems AB, 2018
 Technical data subject to change without notice.

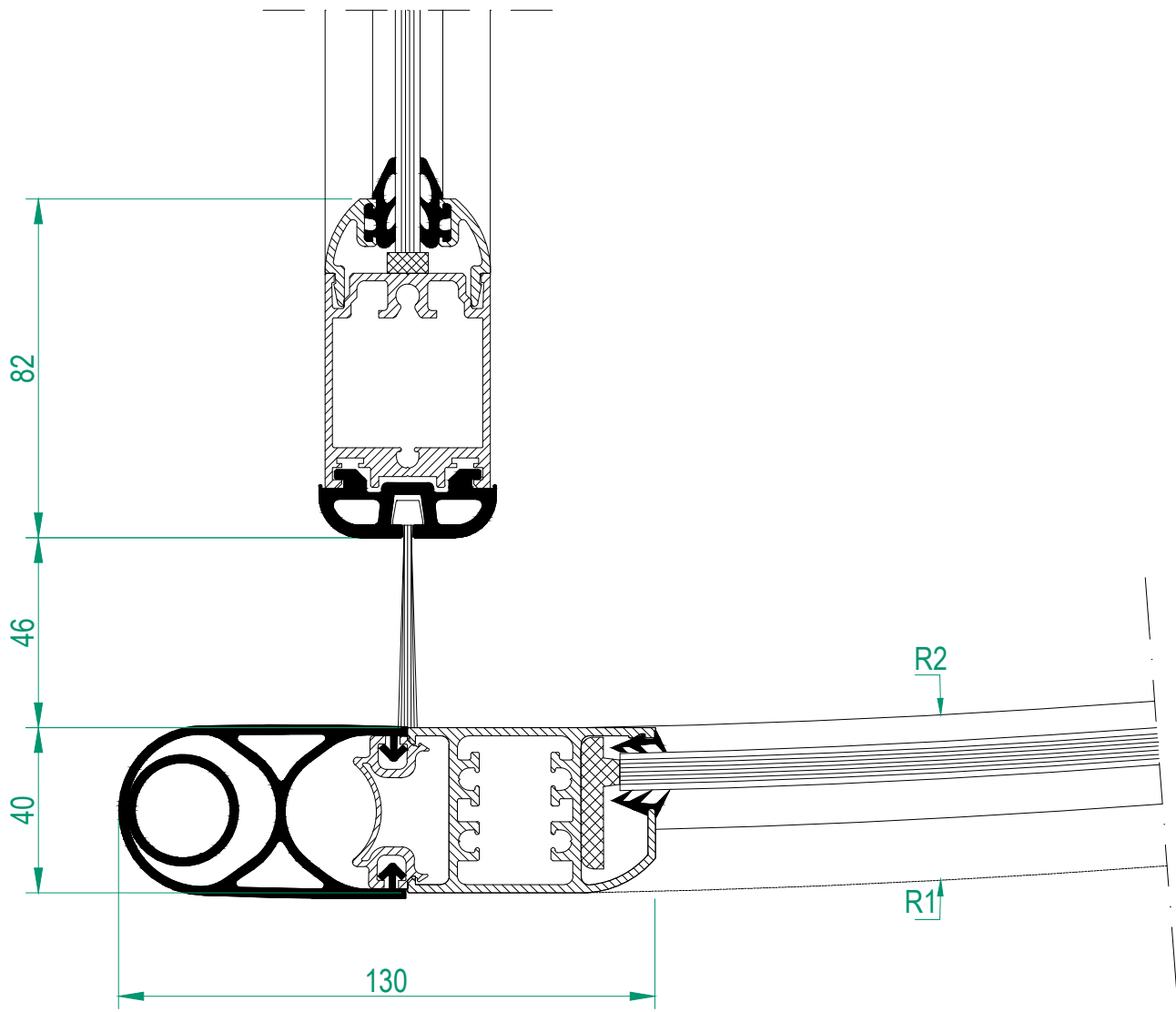
Customer:	Ref:
Door id:	Date:
Project No.:	Sign:

Ref:
Date:
Sign:

Revolving door
 ASSA ABLOY RD100-3 Slim NCD
 Section NCD slam post
 Section 23

ASSA ABLOY

4.0 1011165-en

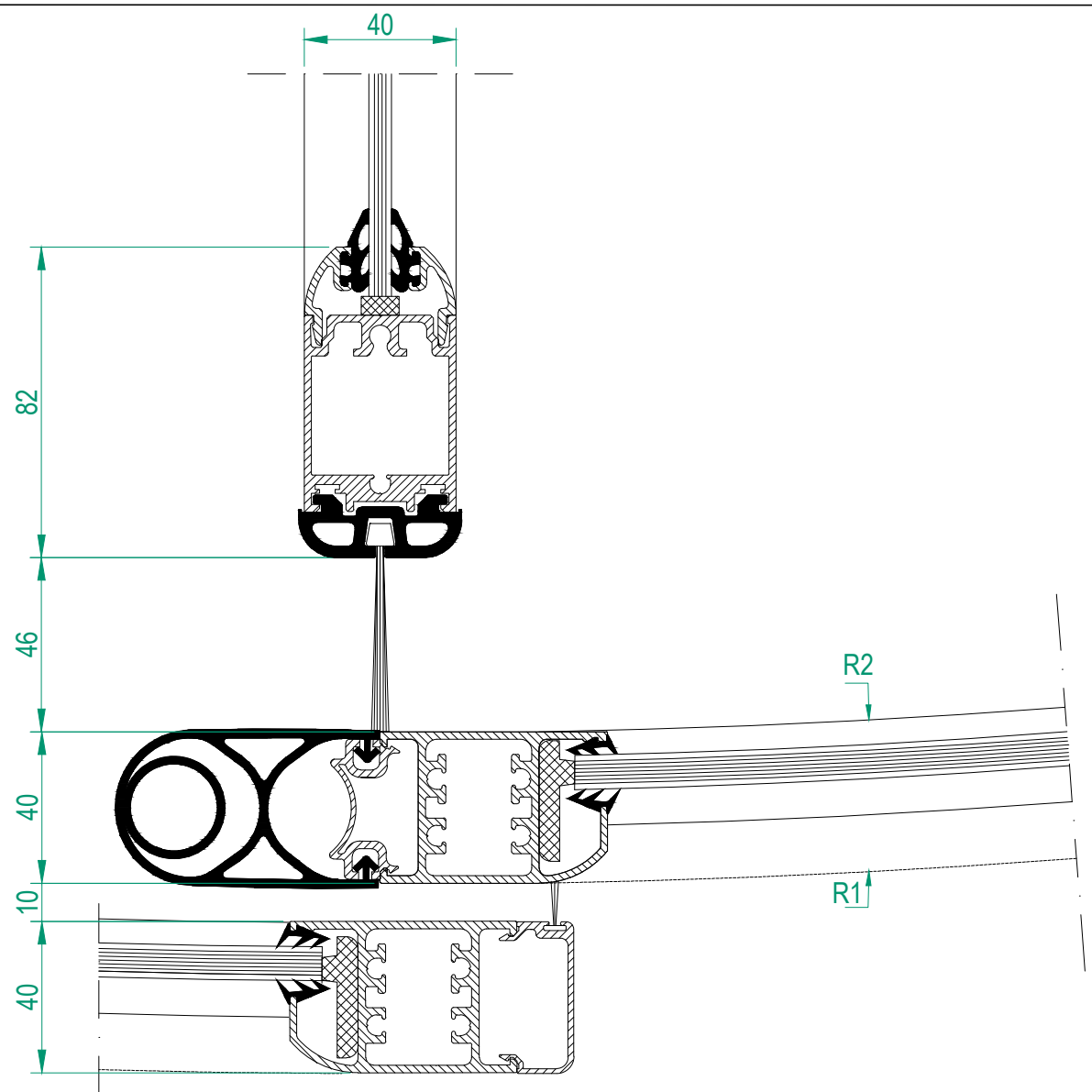


Customer:
Door id:
Project No.:

Ref:
Date:
Sign:

Revolving door
ASSA ABLOY RD100-3 and ASSA ABLOY RD100-4
Slim wall - Frame door leaf
Section door - wall
Section 24

ASSA ABLOY	
4.0	1011165-en

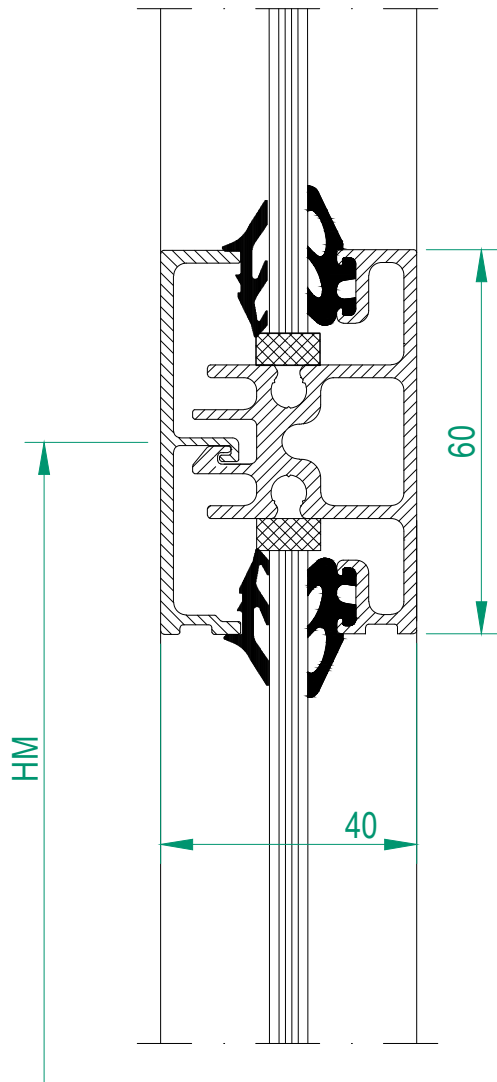


Customer:
Door id:
Project No.:

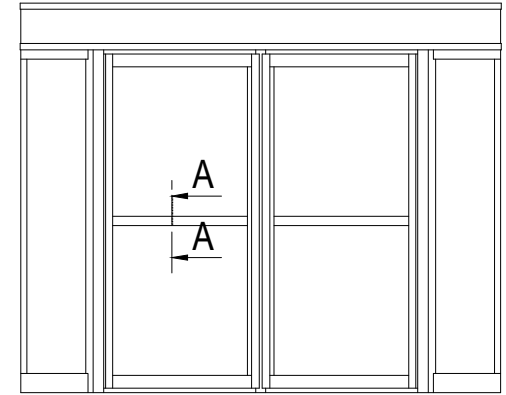
Ref:
Date:
Sign:

Revolving door
ASSA ABLOY RD100-3 and ASSA ABLOY RD100-4
Slim wall - Frame door leaf NCD
Section door - wall
Section 25

ASSA ABLOY	
4.0	1011165-en



Section A-A



© ASSA ABLOY Entrance Systems AB, 2018
 Technical data subject to change without notice.

Customer:

Ref:

Door id:

Date:

Project No.:

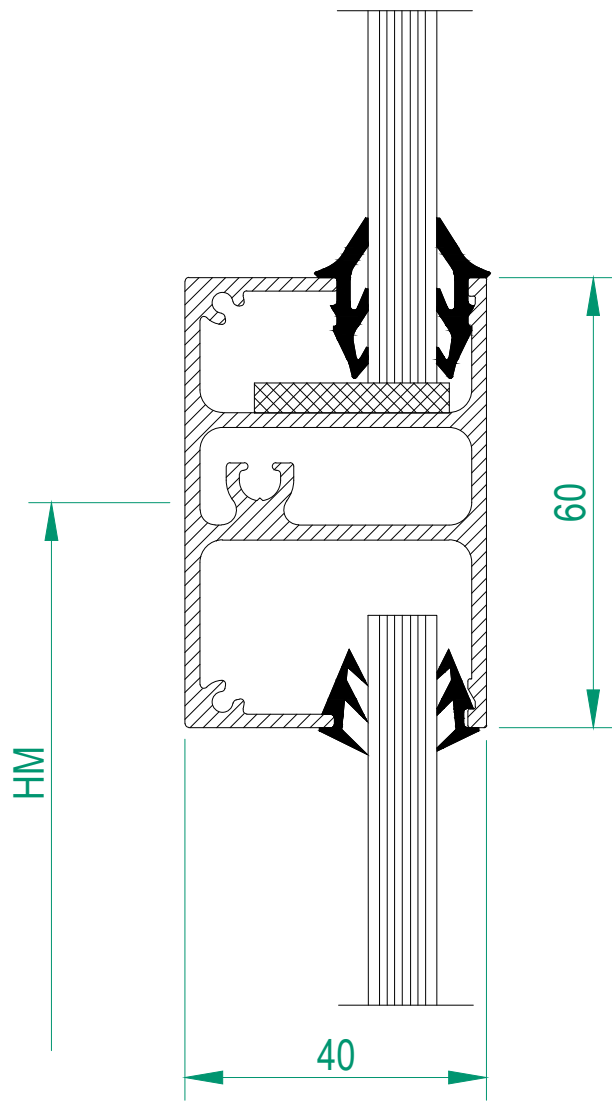
Sign:

Revolving door
 ASSA ABLOY RD100-3 and ASSA ABLOY RD100-4 Frame
 Section midrail door
 Section 26

ASSA ABLOY

4.0

1011165-en



Section A-A



Customer:

Ref:

Door id:

Date:

Project No.:

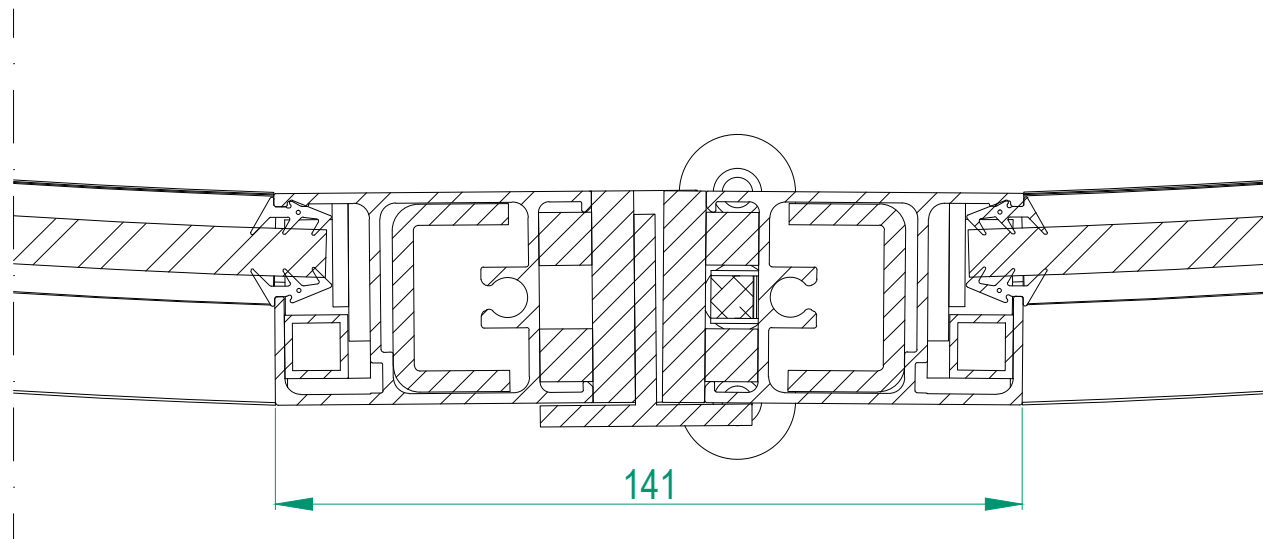
Sign:

Revolving door
ASSA ABLOY RD100-3 and ASSA ABLOY RD100-4 Frame
Section midrail outer wall
Section 27

ASSA ABLOY

4.0

1011165-en



Customer:

Ref:

Door id:

Date:

Project No:

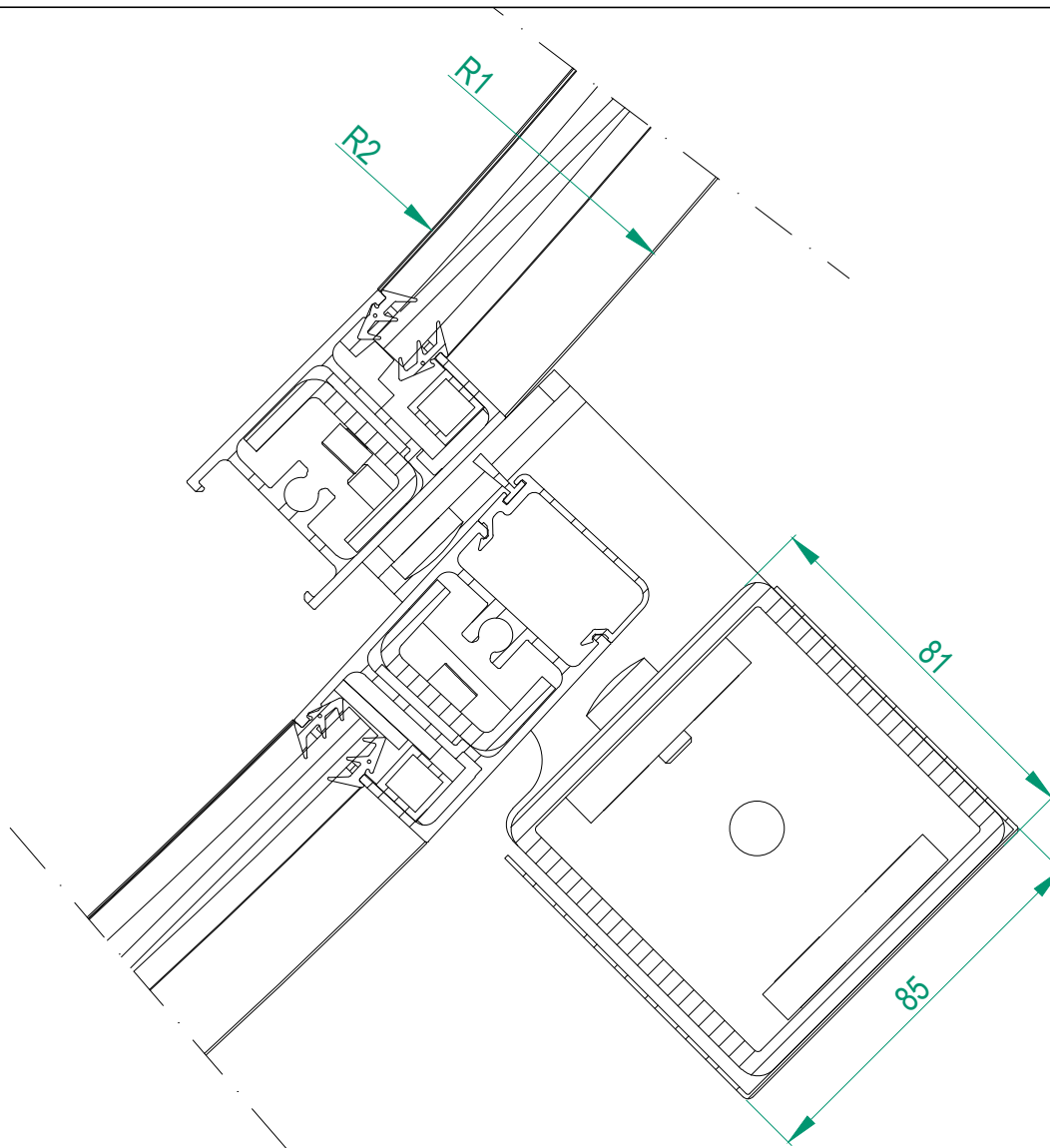
Sign:

Revolving door
ASSA ABLOY RD100-3 and ASSA ABLOY RD100-4 Frame
Protect /RC3
Section 28

ASSA ABLOY

4.0

1011165-en



Customer:

Ref:

Door id:

Date:

Project No:

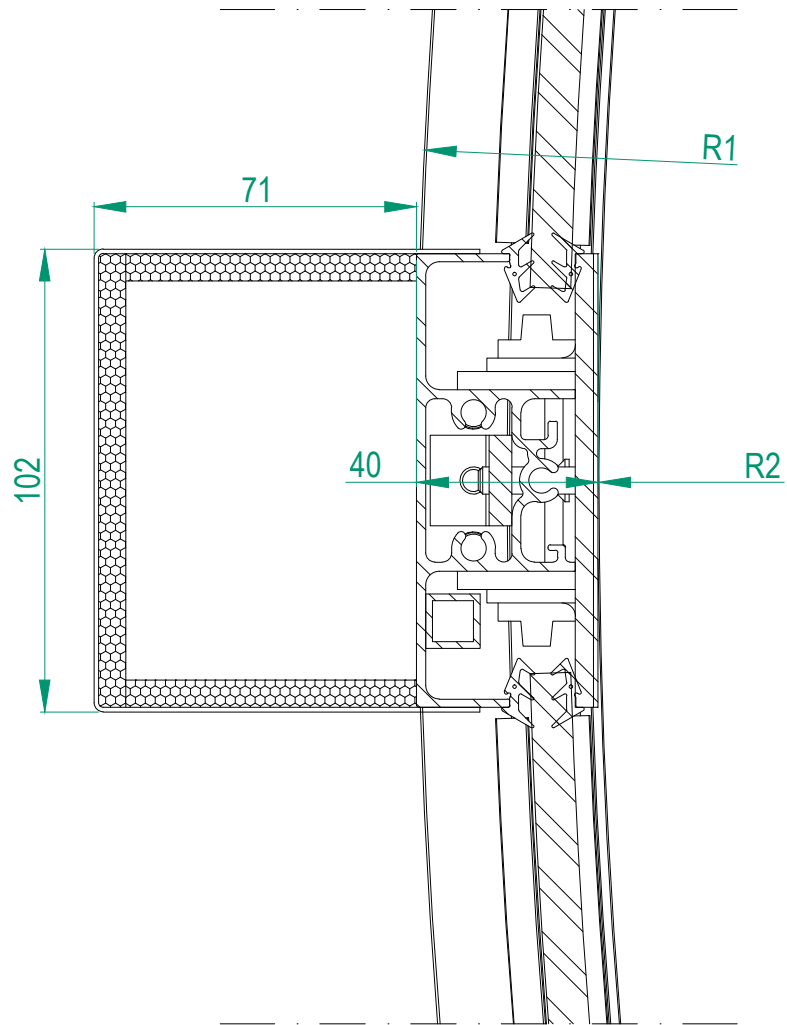
Sign:

Revolving door
ASSA ABLOY RD100-3 and ASSA ABLOY RD100-4 Frame
Protect /RC3
Section 29



4.0

1011165-en



Customer:

Ref:

Door id:

Date:

Project No.:

Sign:

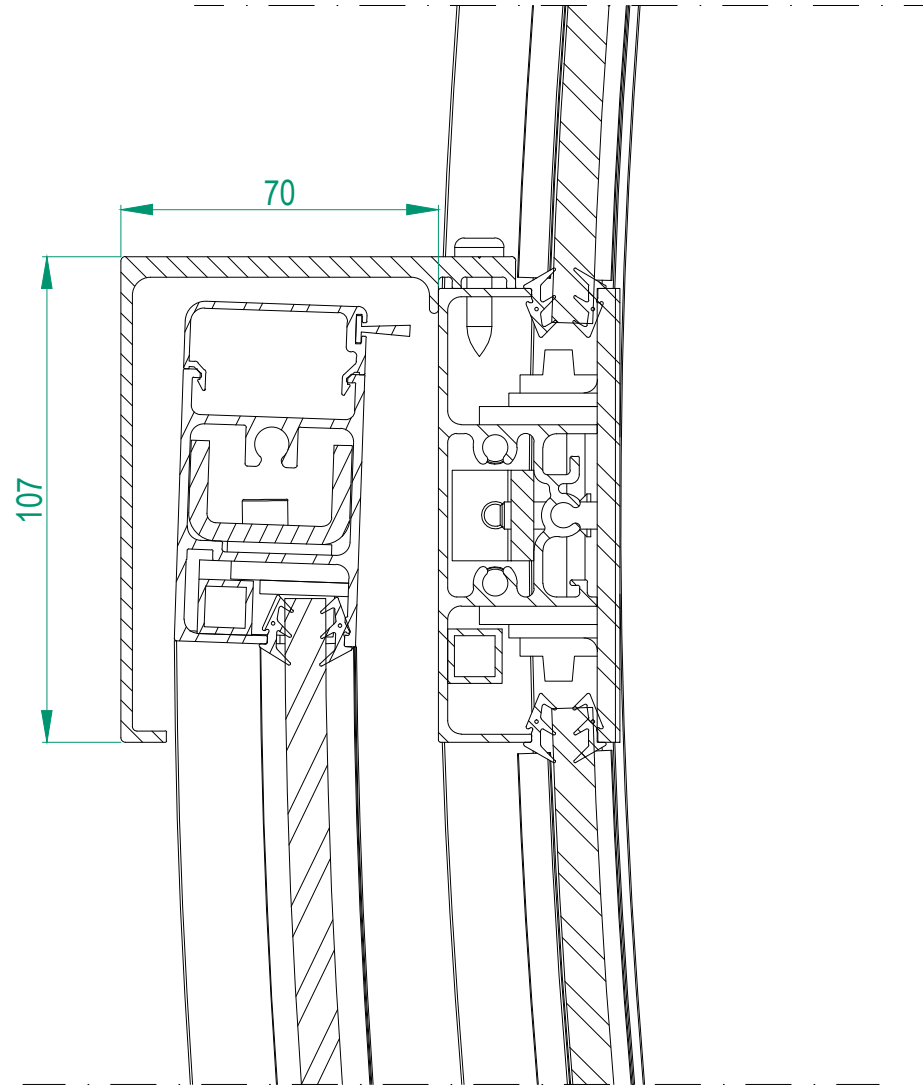
Revolving door
ASSA ABLOY RD100-3 and ASSA ABLOY RD100-4 Frame
Protect /RC3
Section 30

ASSA ABLOY

4.0

1011165-en

© ASSA ABLOY Entrance Systems AB, 2018
Technical data subject to change without notice.

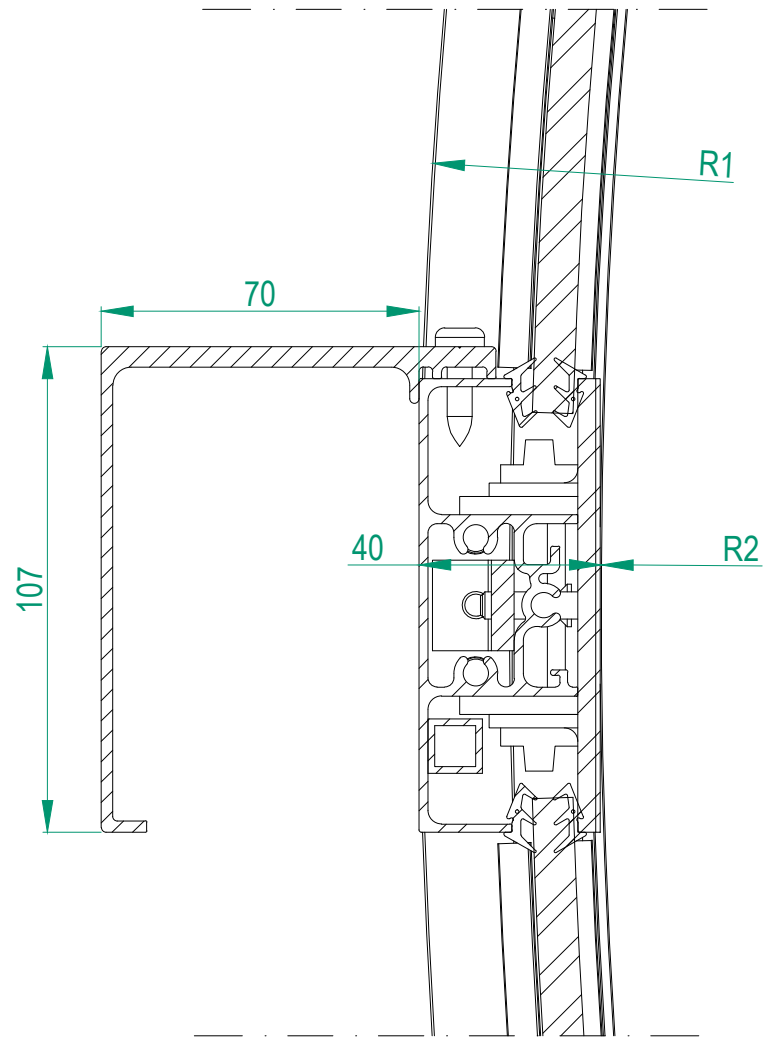


Customer:
Door id:
Project No:

Ref:
Date:
Sign:

Revolving door
ASSA ABLOY RD100-3 and ASSA ABLOY RD100-4 Frame
Protect /RC3
Section 31

ASSA ABLOY	
4.0	1011165-en

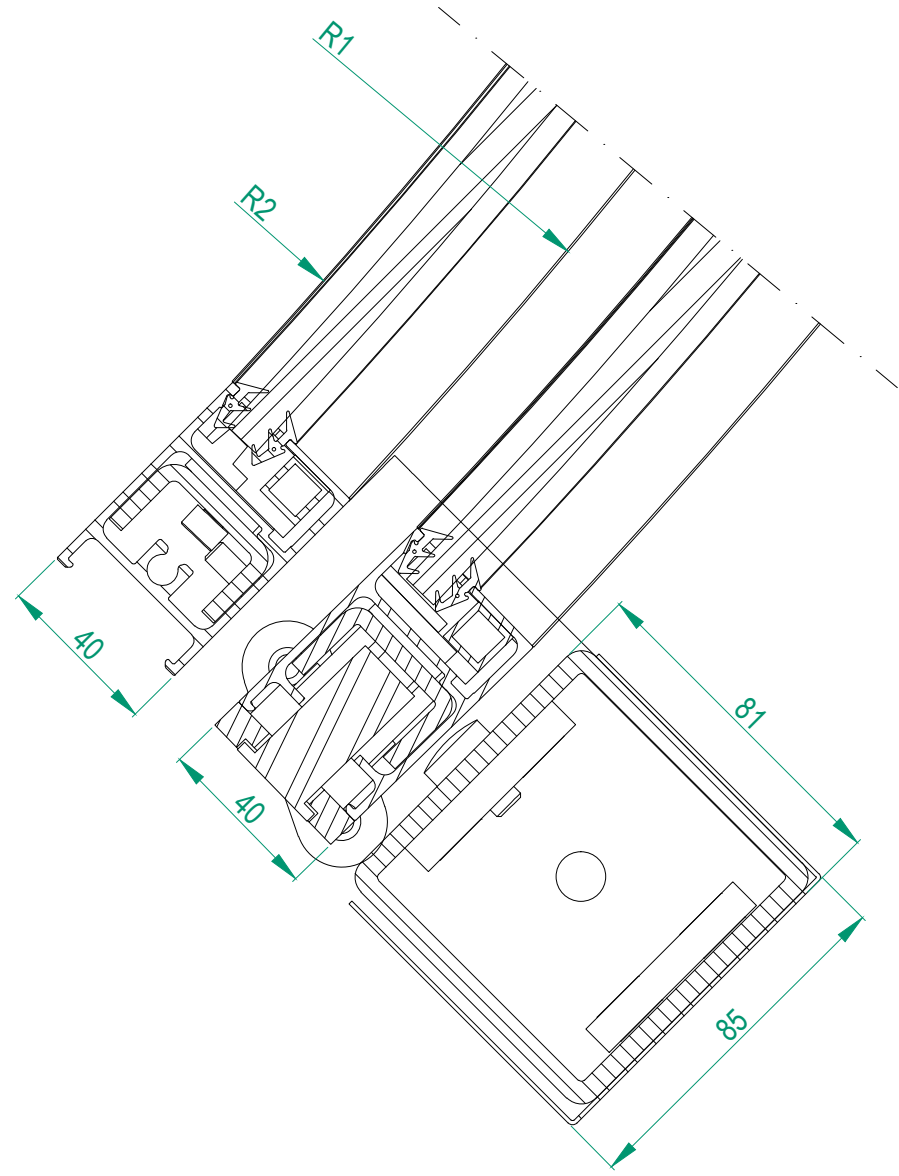


Customer:
Door id:
Project No:

Ref:
Date:
Sign:

Revolving door
ASSA ABLOY RD100-3 and ASSA ABLOY RD100-4 Frame
Protect /RC3
Section 32

ASSA ABLOY	
4.0	1011165-en



Customer:
Door id:
Project No:

Ref:
Date:
Sign:

Revolving door
ASSA ABLOY RD100-3 and ASSA ABLOY RD100-4 Frame
Protect /RC3
Section 33

ASSA ABLOY	
4.0	1011165-en