

4

3

2

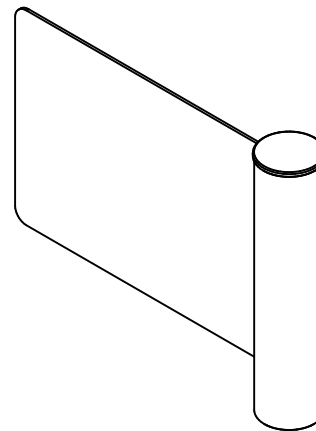
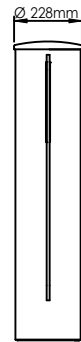
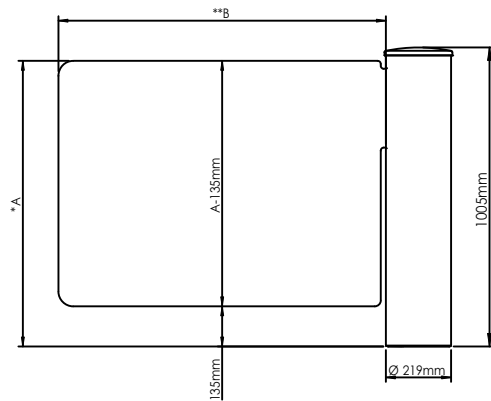
1

D

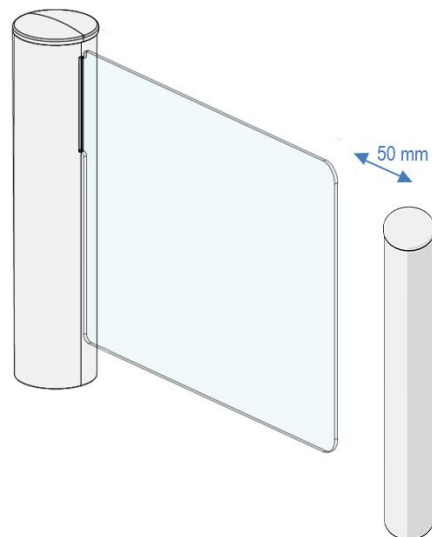
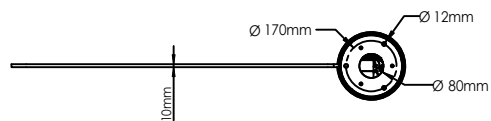
C

B

A



A	Max. B (8 mm glass)	Max. B (10 mm glass)
960	1100	1100
1000	1100	1000
1100	1000	900
1200	1000	800
1300	900	750
1400	800	700
1500	800	600
1600	750	550
1700	700	550
1800	600	550



The 50 mm clearance between the swing gate and the post (railing, wall, etc...) shown on the left, is not included in the dimensions.

ASSA ABLOY

DRAWING NAME:

GS 220

DRAWING NUMBER:

DRAWN	DATE	SIZE	REV
Hj.	10.03.2026	A4	Rev.002

SHEET: 1 OF 1