

## Speedgate

# ASSA ABLOY SG800

Security entrance control



### Design specification

Construction	Steel
Passage width	550 / 900 mm
Weight	138 / 165 kg
Power supply	100 to 240 VAC, 50 / 60 Hz
Logic voltage	24 VDC
Operation temperature	0 °C to +55 °C
IP protection	Cabinet IP34
Mean cycles before failures (MCBF)	8 000 000
Mean time to repair (MTTR)	< 30 min.
Opening and closing times	0.7 to 1.5 sec

## Fast, secure people flow

Strengthen your building's access control with an elegant speedgate with sliding panels, specially created for monitoring and deterring unauthorised traffic.

The speedgate turnstile SG800 from ASSA ABLOY is a dependable and stylish solution for regulating the people flow in and out of your building. With its fast-opening, sliding panels, made of 8 mm tempered glass by default, it is a highly effective entryway that can monitor and block unwanted access as / if necessary, significantly contributing towards a steady level of safety and security in your environment.

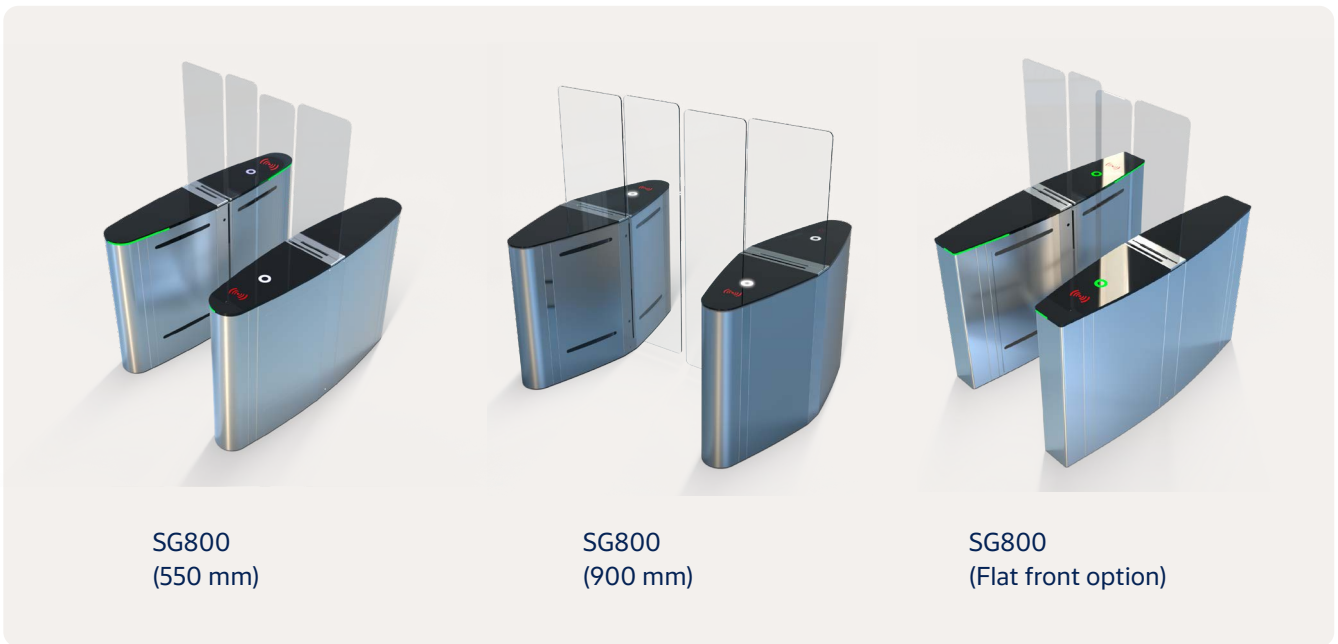
The gate's galvanized coated steel frame and stainless steel housing panels, together with its 10 mm tempered glass top lid and illuminated indication pictograms, make it a sleek, high-quality addition to your building's entryway. What makes it stand out from our other solutions, however, is its intuitive Access Control Integration. Our SG800 framework is easily integrated with any access control system through dry contact or COM ports.

You can even choose to customize the gate's top lid, with optional cuts available for surface mount readers, reader holders or stands, as well as standard or custom-designed posts for access controller integration. Just let us know what you need.

### Options and Accessories

- Glass or polycarbonate panels
- Company logo on sliding and fixed panels
- Powder coated housing panels in RAL color
- Stainless steel base plate
- Card inserter
- Access controller integration brackets (on demand)
- Push button controller
- Touch Panel controller

Experience a safer  
and more open world



SG800  
(550 mm)

SG800  
(900 mm)

SG800  
(Flat front option)

**Customizable settings**

The SG800 speedgate turnstile has a logic-controlled interface and operates bi-directionally. Entrance and exit directions can be individually set as controlled, locked, or free exit. After the release, the turnstile blocks itself after an adjusted time if no transition or passage occurs. If people from both directions would like to pass through simultaneously, the first person who activates the turnstile comes first.

**Controlled access**

When in controlled access mode, after the release confirmation sent by the access control system, the gate opens the sliding panels and enables one-person access. After each person, the sliding panels block passage again, and does not permit access from entrance or exit directions until receiving a new release signal from the access control system.

**Multiple openings**

An additional person is able to use the next passage cycle during an ongoing passage cycle in both directions. The speedgate controller stores up to 255 releases, and can allow the same amount of individuals to pass through.

**Different security responses**

During a security threat or other related incidents, the gate can respond in multiple ways:

- Acoustic alarm only, without blocking the lane.

- Panels closing immediately and blocking the lane\*, without an acoustic alarm.
- Panels closing immediately and blocking the lane\*, as well as an acoustic alarm.

\* If the lane is blocked during a tailgating attempt or if someone is going the wrong way, the gate's panels can potentially injure the person in question.

**Emergency and power outage modes**

In the event of an emergency, the gate opens the panels automatically (fail-safe mode). Once the emergency alarm stops and/or the electricity returns, the gate resets itself automatically.

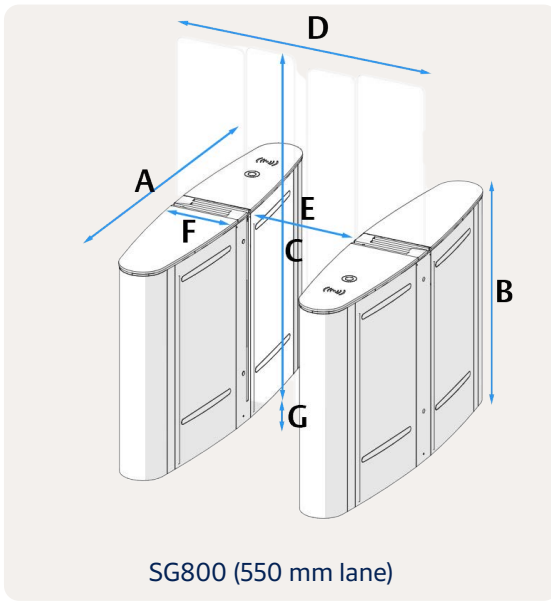
**LED indicators**

The LED lights on the turnstile indicate the operating status in both directions.

- Blue     Waiting / Standby
- Green    Passage confirmed
- Red       No passage

**Settings**

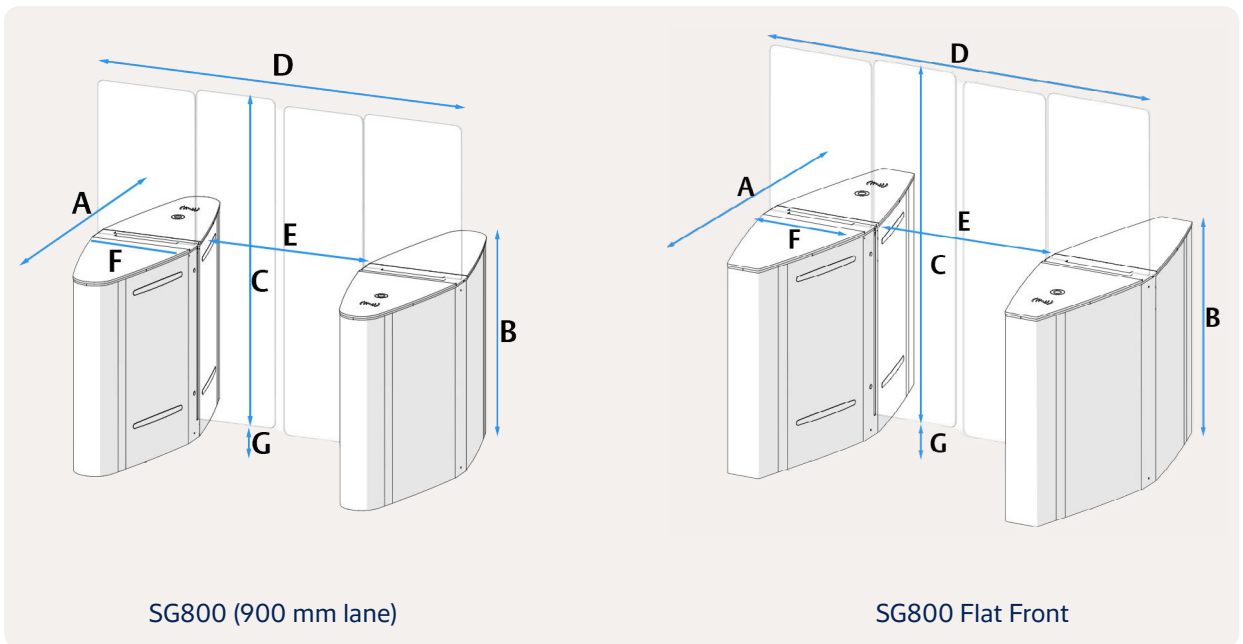
Operation mode for each direction	Controlled / Free / Locked
Acoustic notifications	On / Off
Release time out	5, 10, 15, 20 sec
Emergency connection	On / Off



SG800 (550 mm lane)

**SG800 (550 mm lane)**

Total Length (A)	1500 mm / 59.10 inch
Cabinet Height (B)	1010 mm / 39.76 inch
Panel Height (C+G)	1800 mm / 70.86 inch
Spacing Between Panel and finished floor level (G)	108 mm / 4.25 inch
Total Width (D)	1210 mm / 47.63 inch
Clear Passage Width (E)	550 mm / 21.65 inch
Cabinet Width (F)	330 mm / 12.9 inch
Spacing Between Panels	100 mm / 3.93 inch
Weight	138 kg / 304.23 lbs



SG800 (900 mm lane)

SG800 Flat Front

**SG800 (900 mm lane) – SG800 Flat Front**

Total Length (A)	1500 mm / 59.10 inch
Cabinet Height (B)	1010 mm / 39.76 inch
Panel Height(C+G)	1800 mm / 70.86 inch
Spacing Between Panel and finished floor level (G)	115 mm / 4.52 inch
Total Width (D)	1940 mm / 76.37 inch
Clear Passage Width (E)	900 mm / 35.43 inch
Cabinet Width (F)	520 mm / 20.47 inch
Spacing Between Panels	80 mm / 3.14 inch
Weight	165 kg / 363.76 lbs

This equipment should be installed, regularly inspected, maintained and serviced by trained and authorized personnel. Preventive maintenance plans are highly recommended for a proper and safe operation. Talk to your ASSA ABLOY Entrance Systems representative to learn more about our service offering!