

4

3

2

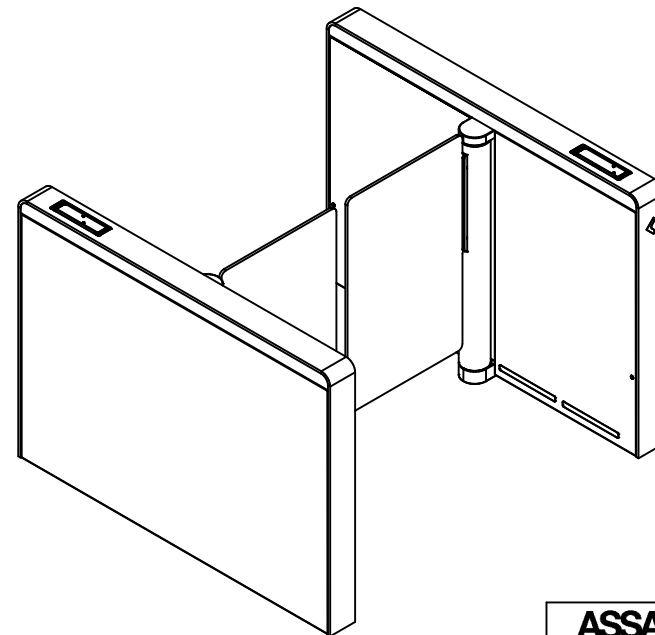
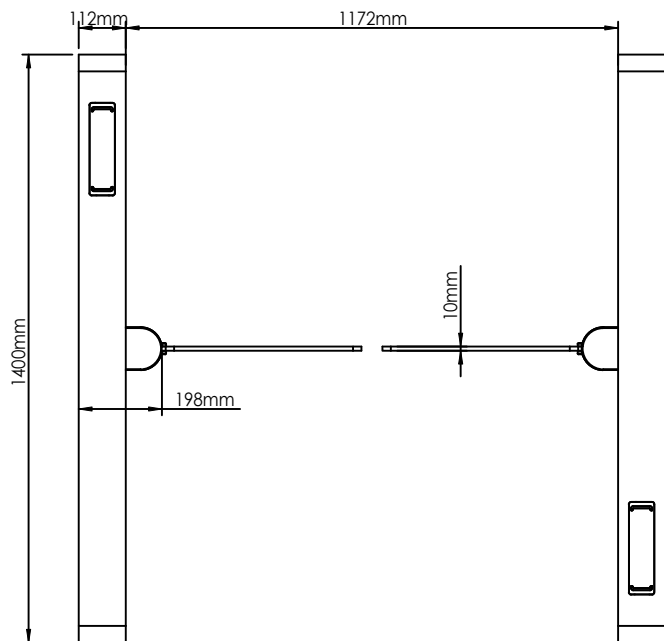
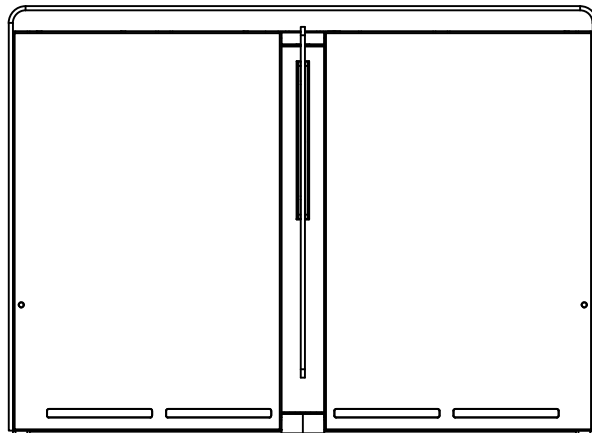
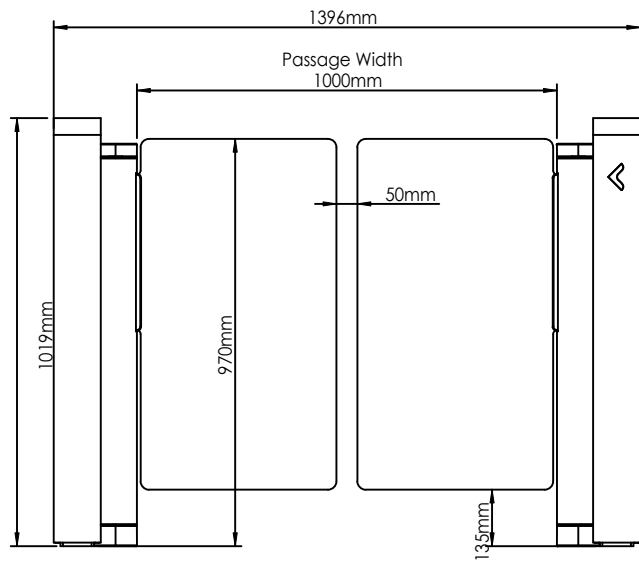
1

D

C

B

A



ASSA ABLOY			
DRAWING NAME: SG 400			
DRAWING NUMBER:			
DRAWN H.J.	DATE 10.02.2026	SIZE A4	REV Rev.002
SHEET: 1 OF 1			