

4

3

2

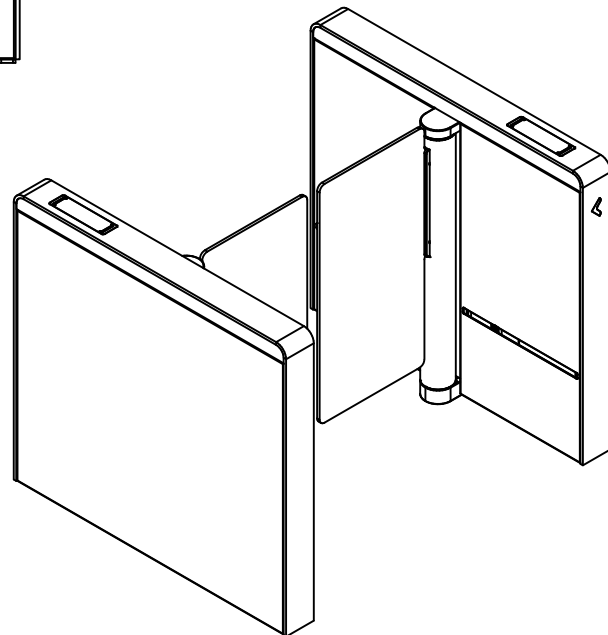
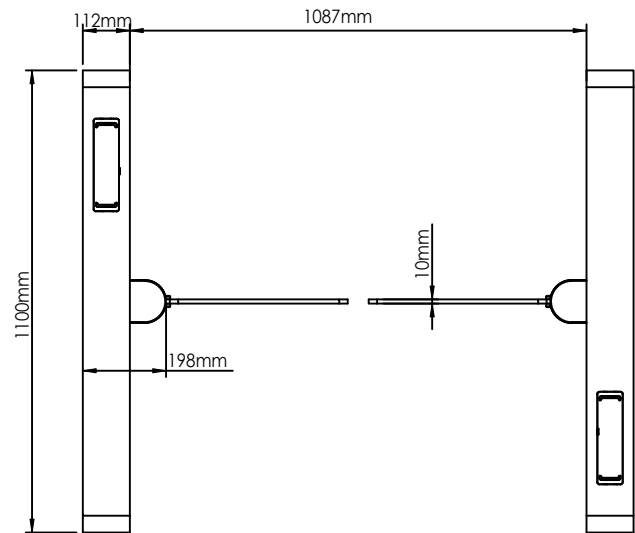
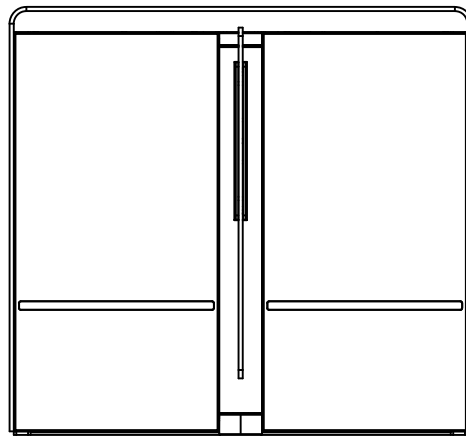
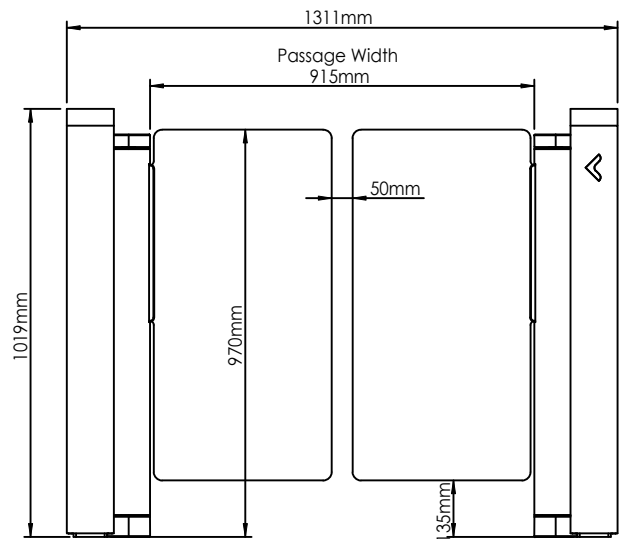
1

D

C

B

A



| | | | |
|-------------------------|--------------------|------------|----------------|
| ASSA ABLOY | | | |
| DRAWING NAME: SG 400 | | | |
| DRAWING NUMBER: | | | |
| DRAWN H.J. | DATE 10.02.2026 | SIZE A4 | REV Rev.002 |
| SHEET: 1 OF 1 | | | |