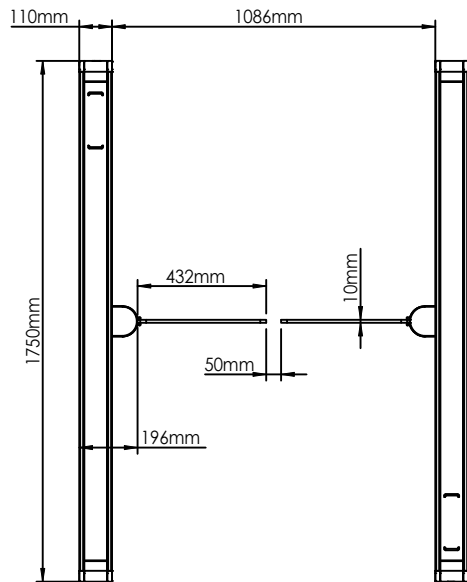
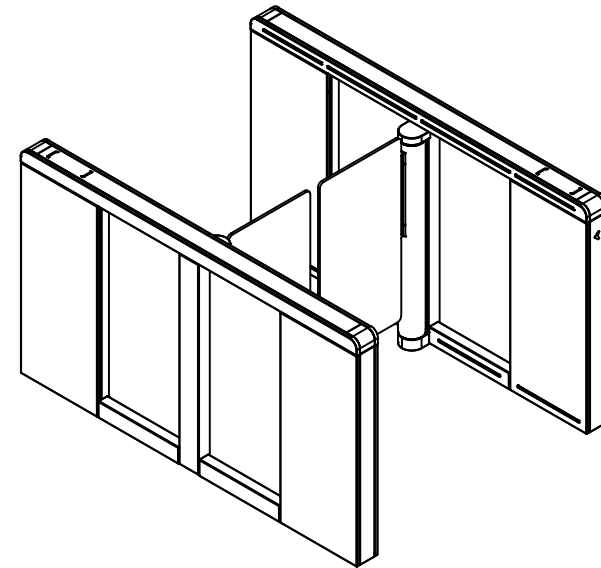
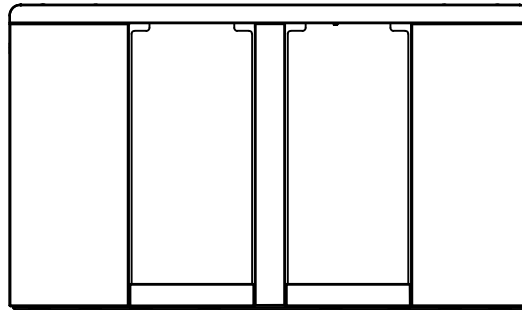
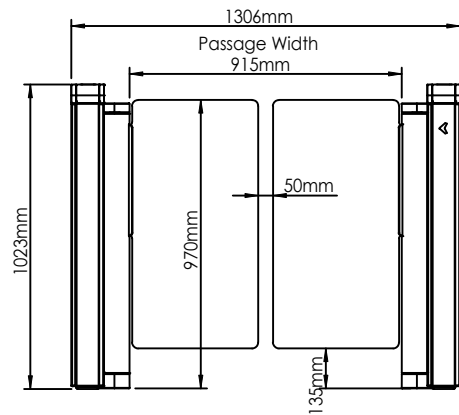


4

3

2

1



B

A

**ASSA ABLOY**

DRAWING NAME:

SG 200

DRAWING NUMBER:

DRAWN	DATE	SIZE	REV
HJ.	19.02.2026	A4	Rev.002

SHEET: 1 OF 1