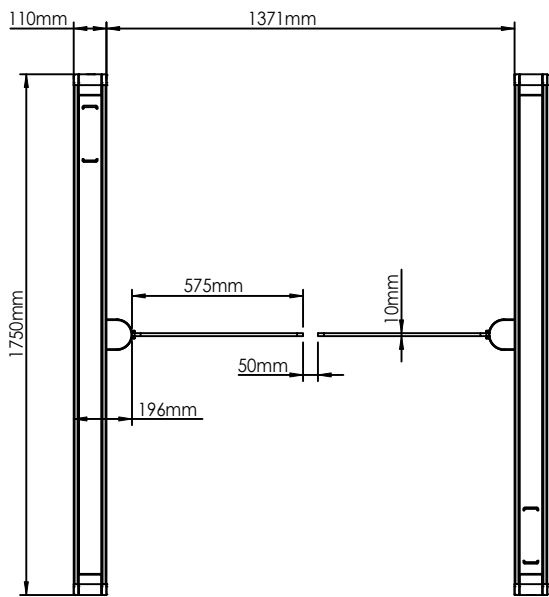
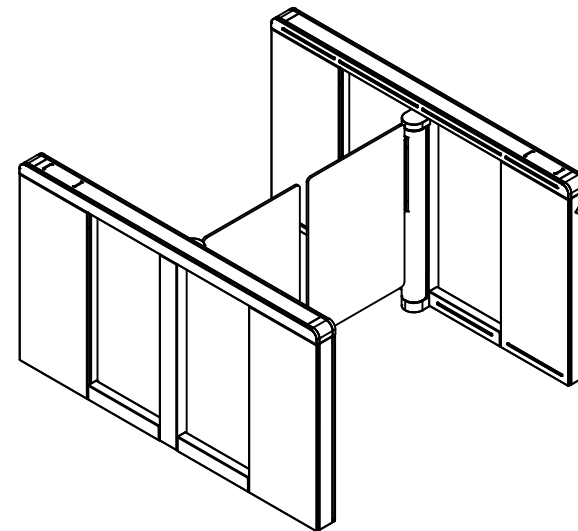
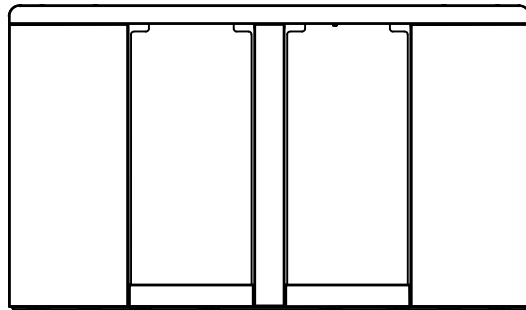
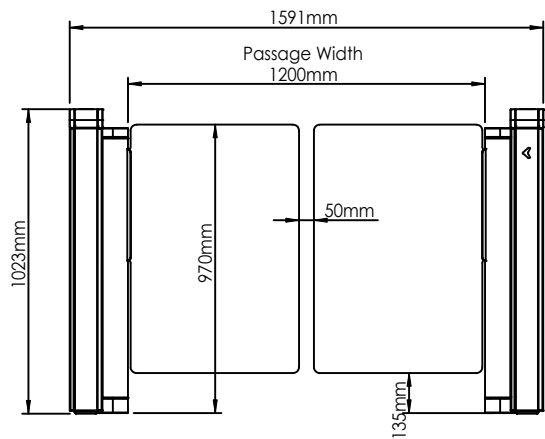


4

3

2

1



B

A

<b>ASSA ABLOY</b>			
DRAWING NAME: SG 200			
DRAWING NUMBER:			
DRAWN HJ.	DATE 19.02.2026	SIZE A4	REV Rev.002
SHEET: 1 OF 1			