

4

3

2

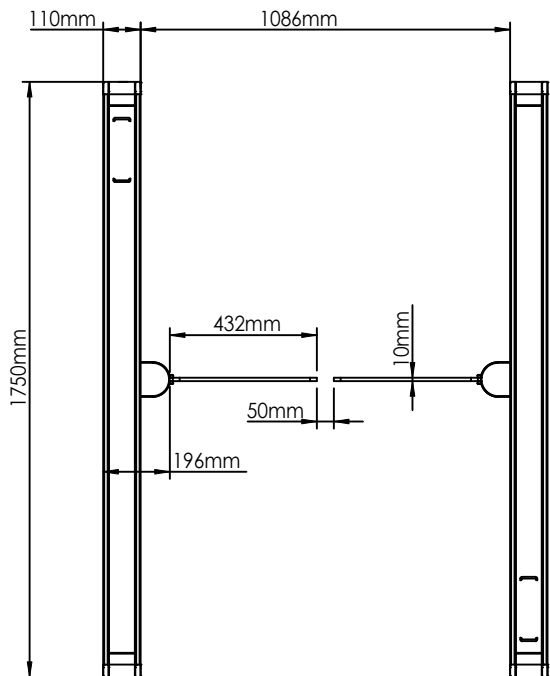
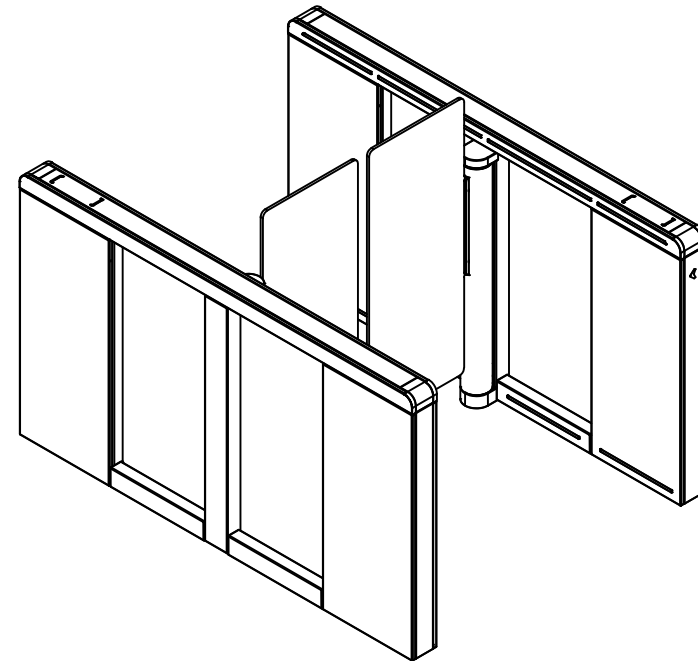
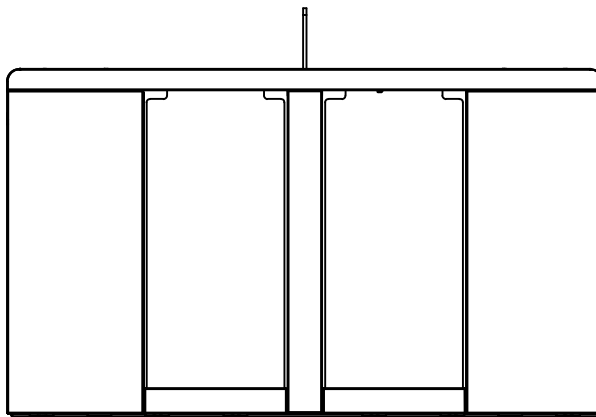
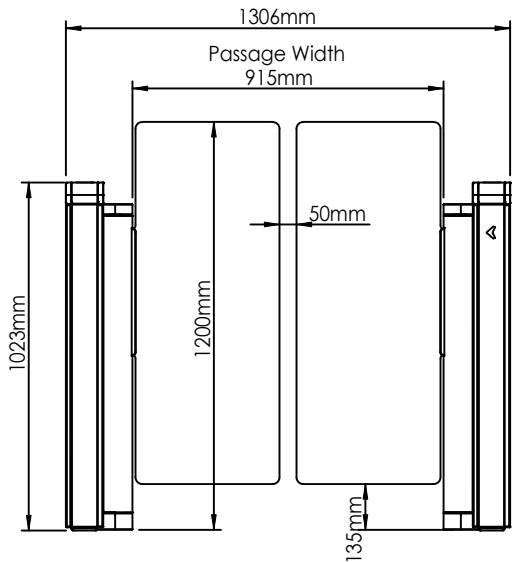
1

D

C

B

A



<b>ASSA ABLOY</b>			
DRAWING NAME: SG 200			
DRAWING NUMBER:			
DRAWN H.J.	DATE 17.11.2025	SIZE A4	REV 25-230201
SCALE: 1:1		SHEET: 1 OF 1	