

4

3

2

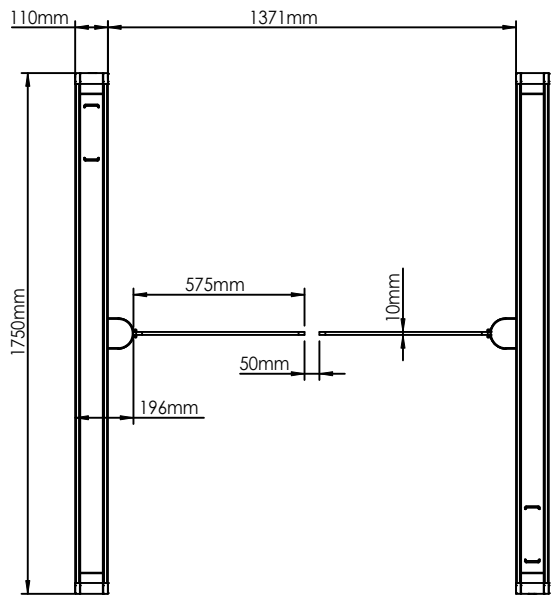
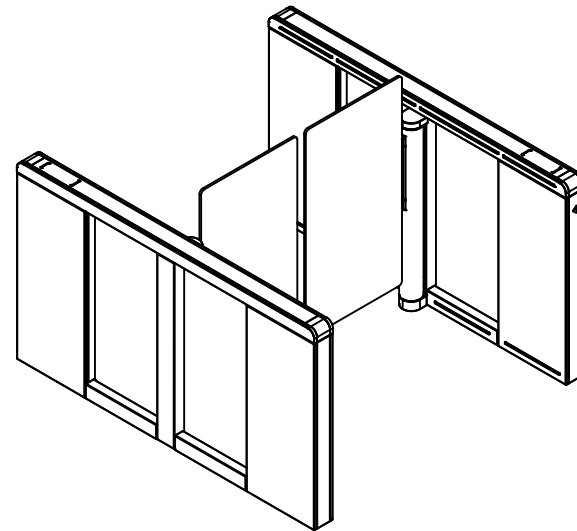
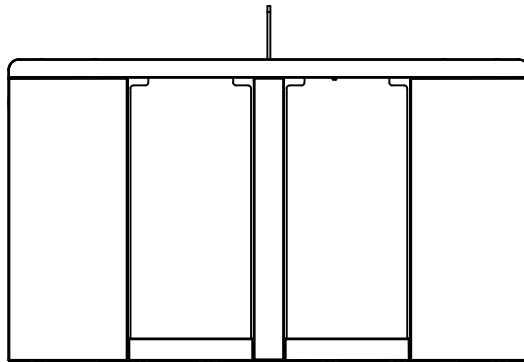
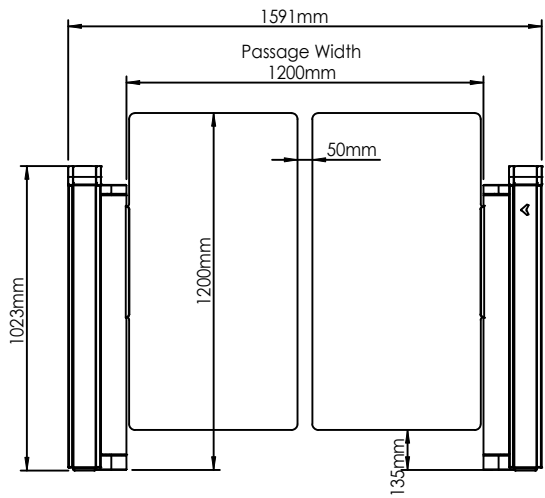
1

D

C

B

A



ASSA ABLOY			
DRAWING NAME: SG 200			
DRAWING NUMBER:			
DRAWN H.I.	DATE 16.12.2025	SIZE A4	REV
SCALE: 1:1		SHEET: 1 OF 1	