

4

3

2

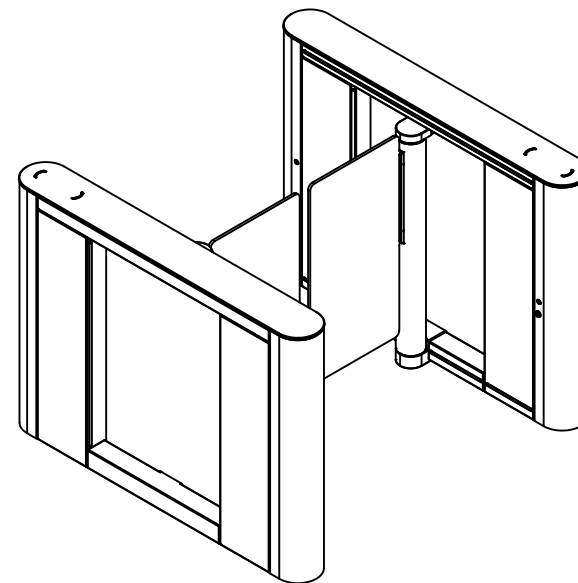
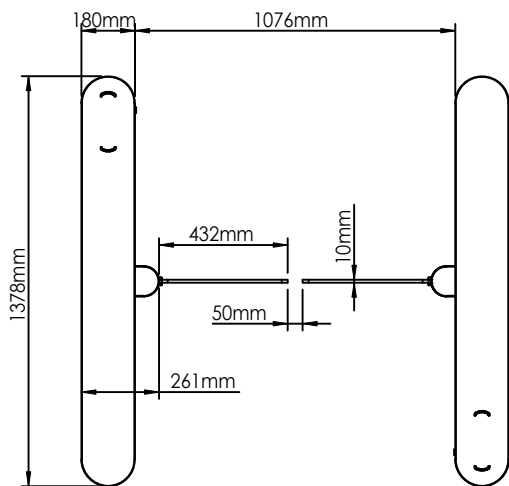
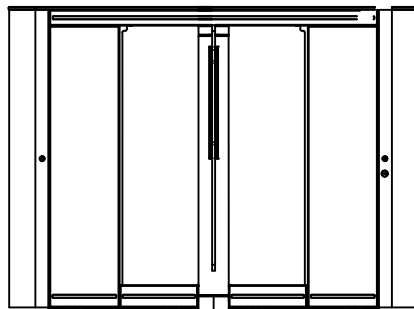
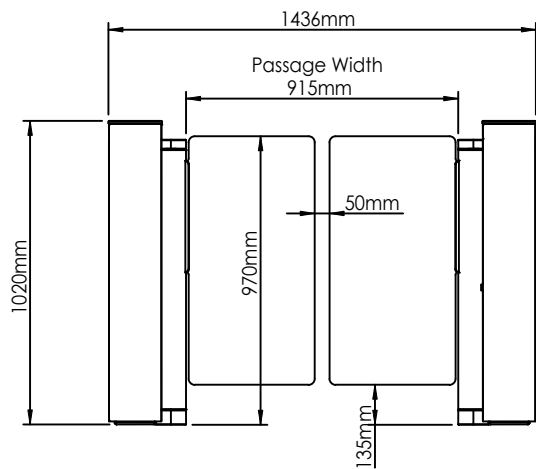
1

D

C

B

A



ASSA ABLOY

DRAWING NAME:

SG 100 Wide

DRAWING NUMBER:

DRAWN	DATE	SIZE	REV
HJ.	20.02.2026	A4	REV.002

SHEET: 1 OF 1