

4

3

2

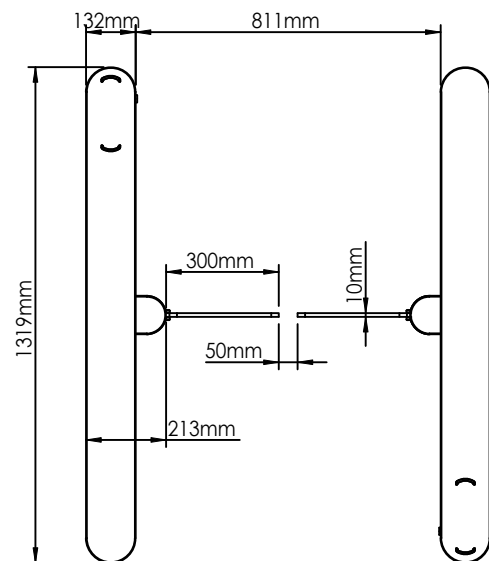
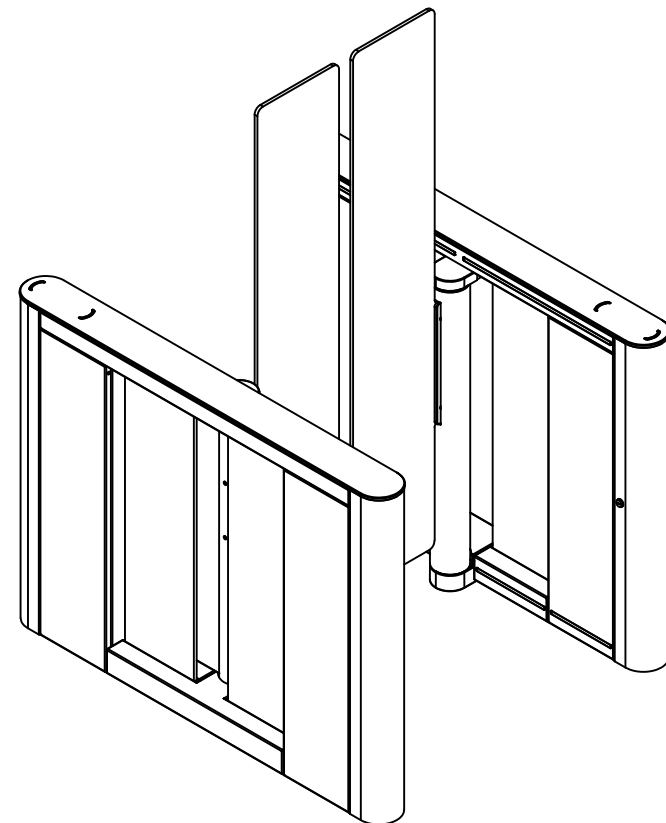
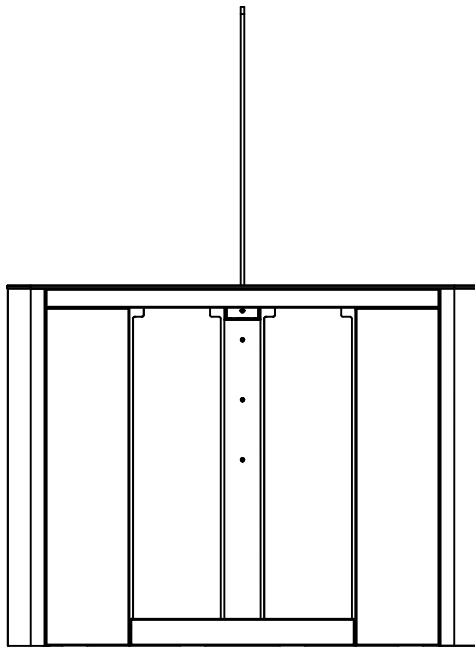
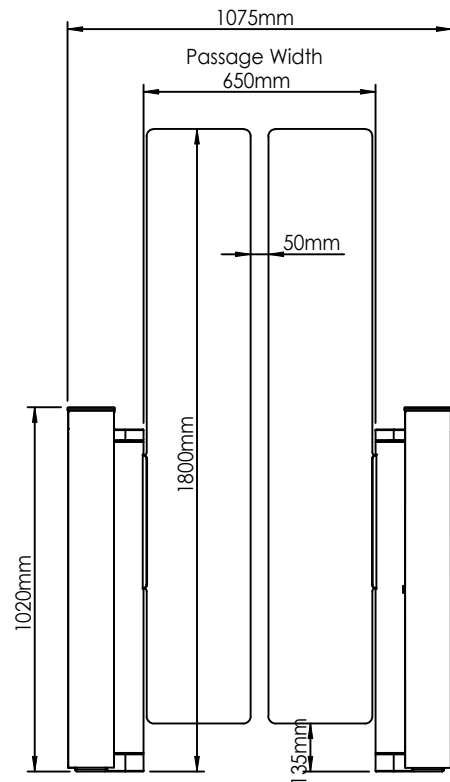
1

D

C

B

A



|                         |                    |               |                  |
|-------------------------|--------------------|---------------|------------------|
| <b>ASSA ABLOY</b>       |                    |               |                  |
| DRAWING NAME:<br>SG 100 |                    |               |                  |
| DRAWING NUMBER:         |                    |               |                  |
| DRAWN<br>H.J.           | DATE<br>17.11.2025 | SIZE<br>A4    | REV<br>25-230212 |
| SCALE: 1:1              |                    | SHEET: 1 OF 1 |                  |