

4

3

2

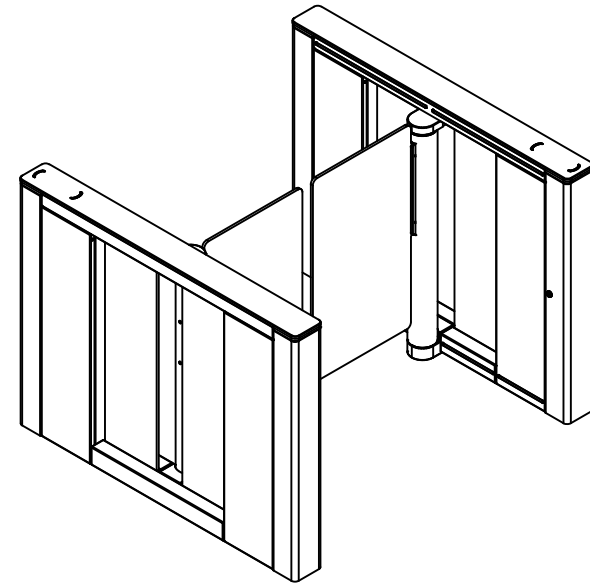
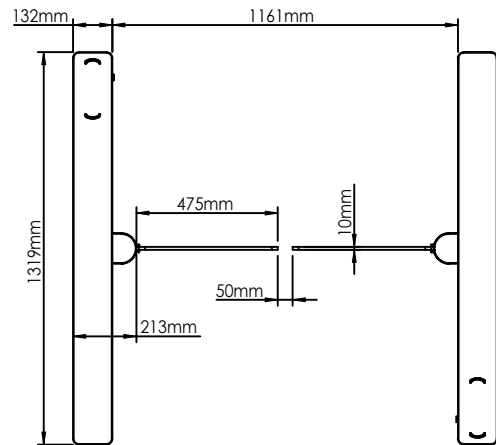
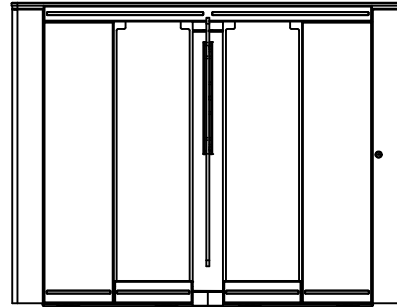
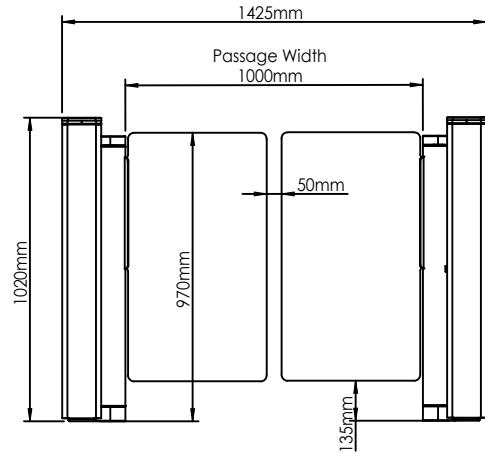
1

D

C

B

A



ASSA ABLOY			
DRAWING NAME: SG 100 Flat Front			
DRAWING NUMBER:			
DRAWN H.I.	DATE 20.02.2026	SIZE A4	REV REV.002
SHEET: 1 OF 1			