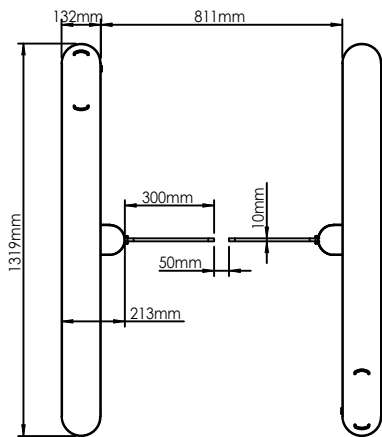
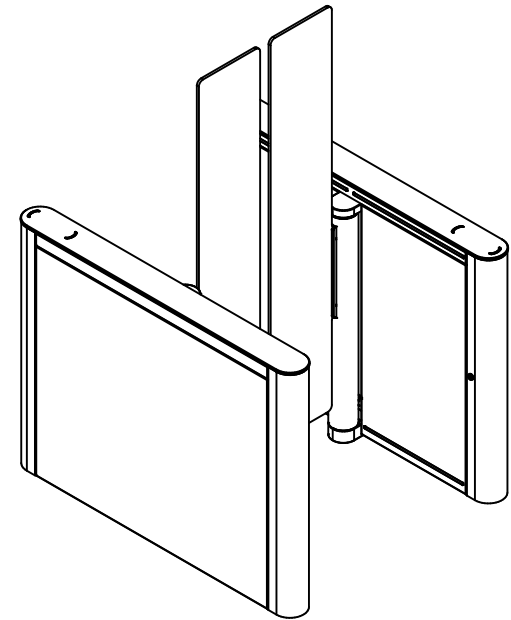
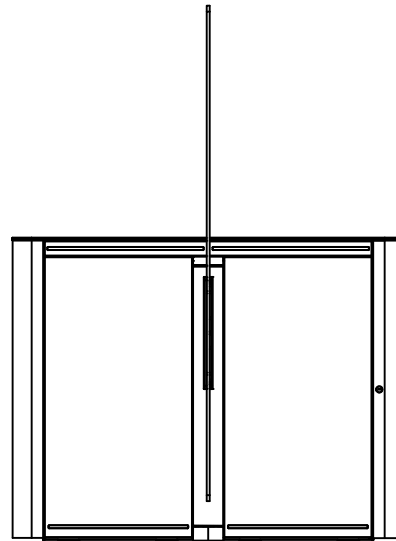
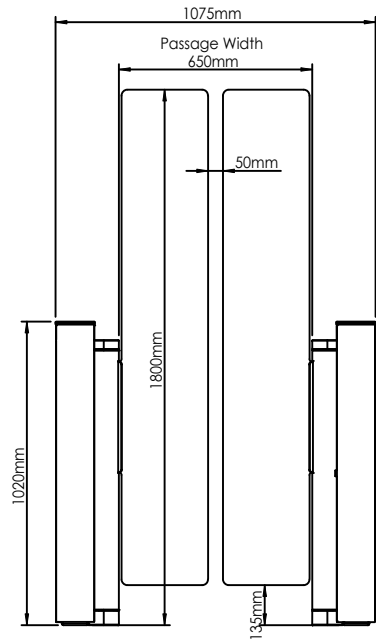


4

3

2

1



D

C

B

A

|                              |                    |            |                |
|------------------------------|--------------------|------------|----------------|
| <b>ASSA ABLOY</b>            |                    |            |                |
| DRAWING NAME:<br>SG 100 Bold |                    |            |                |
| DRAWING NUMBER:              |                    |            |                |
| DRAWN<br>HJ.                 | DATE<br>05.03.2026 | SIZE<br>A4 | REV<br>REV.002 |
| SHEET: 1 OF 1                |                    |            |                |