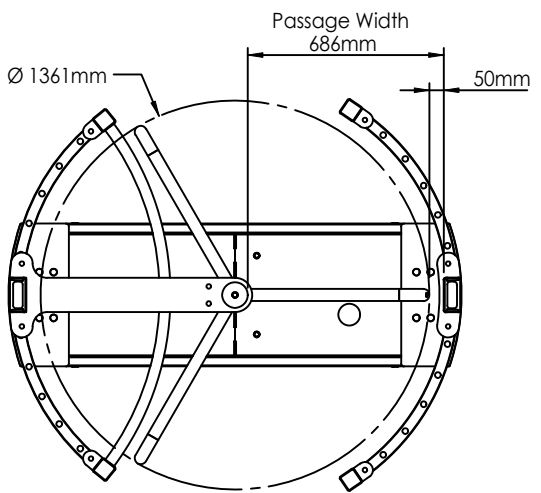
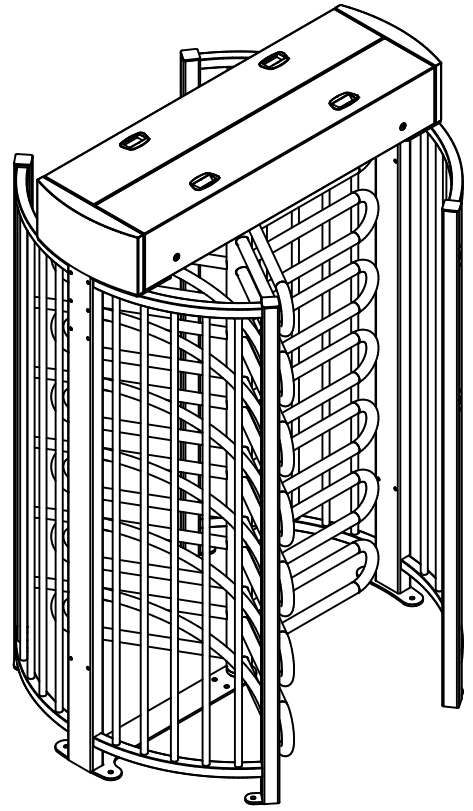


TOP VIEW



BOTTOM VIEW



<b>ASSA ABLOY</b>			
DRAWING NAME: FT 470			
DRAWING NUMBER:			
DRAWN H.L.	DATE 02.02.2026	SIZE A4	REV Rev.002
SHEET: 1 OF 1			