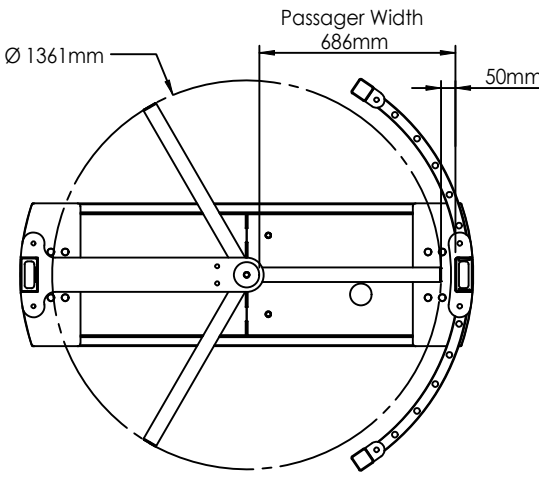
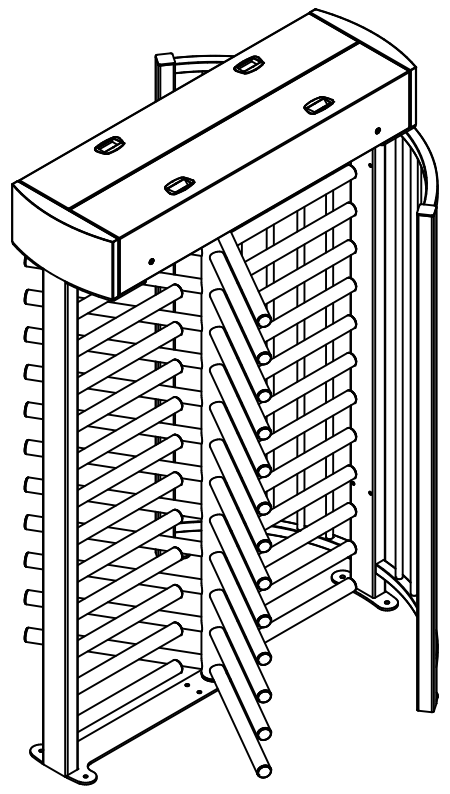


TOP VIEW



BOTTOM VIEW



ASSA ABLOY			
DRAWING NAME:			
FT 170			
DRAWING NUMBER:			
DRAWN	DATE	SIZE	REV
H.L.	02.02.2026	A4	Rev.002
SHEET: 1 OF 1			