

4

3

2

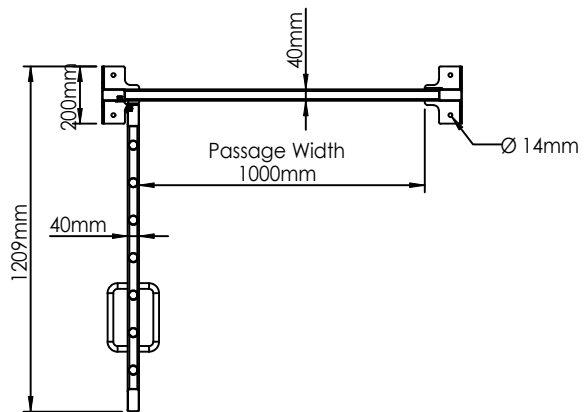
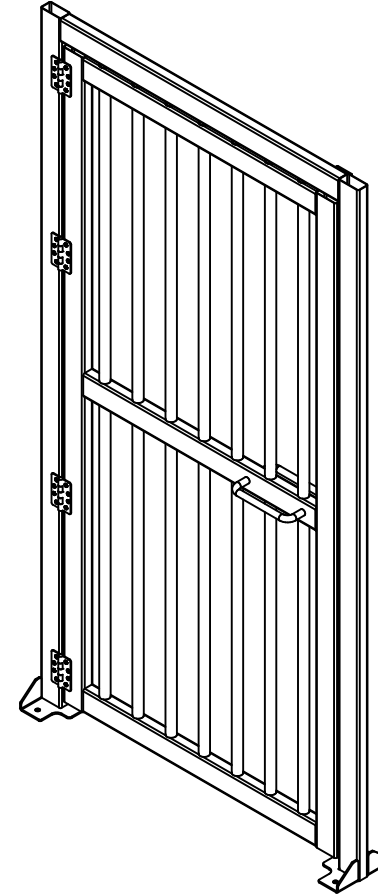
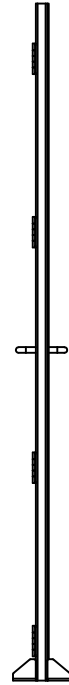
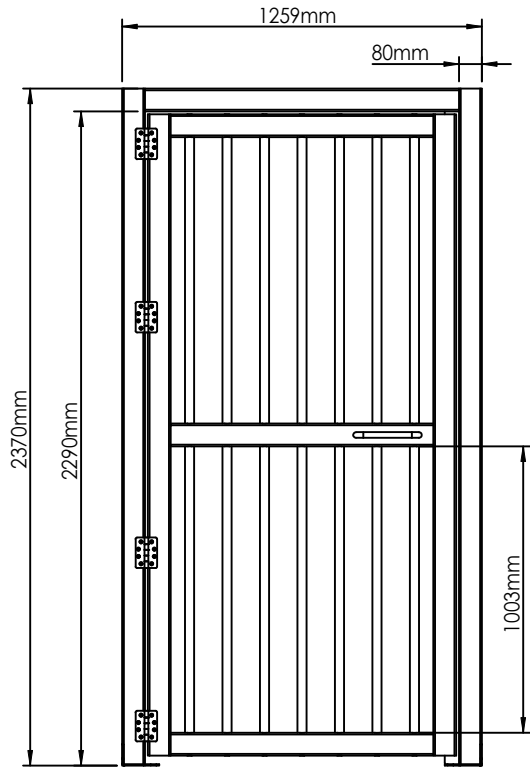
1

D

C

B

A



<b>ASSA ABLOY</b>			
DRAWING NAME: FT 001			
DRAWING NUMBER:			
DRAWN H.I.	DATE 06.02.2026	SIZE A4	REV Rev.002
SHEET: 1 OF 1			