

Dock shelter

ASSA ABLOY DS6060VC

ASSA ABLOY
Entrance Systems

Experience a safer
and more open world



Ideal solution for parcel distribution centers

The ASSA ABLOY DS6060VC van cushion shelter has been specifically developed for the docking process at parcel distribution centers with loading operations without a pallet truck, and where conventional dock plates are not needed. The size and shape of the shelter is the ideal solution for vans like Mercedes Sprinter and VW Crafter with the typical curved shape and rear hinged doors that you can flip around completely to 270 degrees. The van reverses into the dock shelter which seals it off, giving continuous weather protection throughout the complete loading operation.

The result is safe working conditions to avoid injuries, damage or interruptions in the flow. The cushions have a very high wear and tear resistance. The ASSA ABLOY DS6060VC van cushion shelter has been designed for installation directly onto the façade of the building.

New and Innovative design

The ASSA ABLOY DS6060VC van cushion shelter is the ideal solution for the typical "Finger Concept" of a parcel distribution center.

A distribution center with incoming and outgoing goods for long distance trucks as well as a separate loading area for parcels is the other typical application for which the ASSA ABLOY DS6060VC van cushion shelter would be the ideal solution.

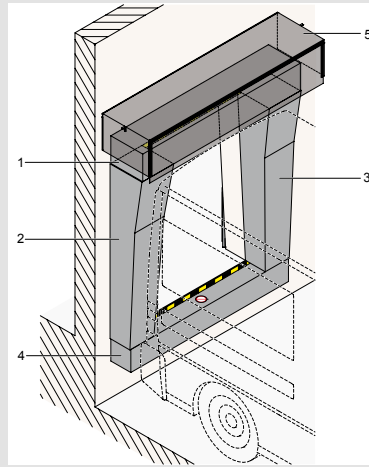
Energy efficient solution

The ASSA ABLOY DS6060VC van cushion shelter provides a number of benefits for this specific loading process: energy saving, less draught from the "Fingers" into the main building, improved working conditions, increased safety of people and goods, and improved efficiency for the whole operation.

Technical Data

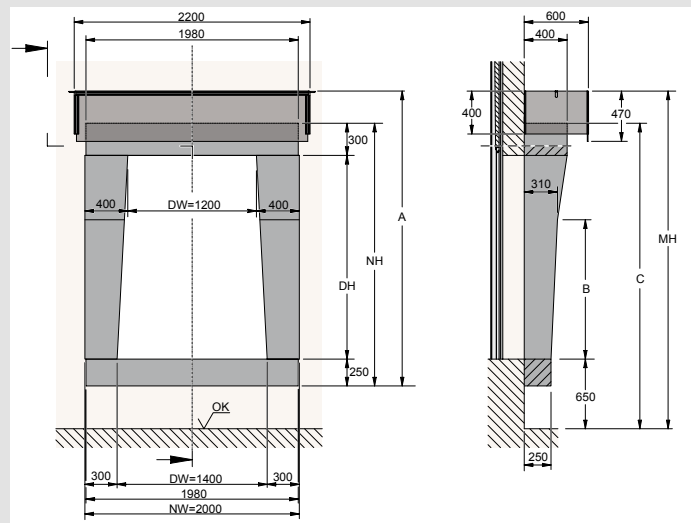
Normal height	2000 mm
Normal width	3250 mm
Foam density	18 kg/m ³
Curtain colour	black
Signs on bottom cushion	yellow/black warning tape, warning sign "do not step on"
Signs on top cushion	yellow/black warning tape
Back plate	waterproof wooden plate 19 mm thick
Roof frame	aluminum profiles, galvanizes steel profiles
Fabric cushions and roof	one layer high quality polyester
Thickness	0,5 mm
Weight	Approx. 680 g/m ²
Fabric roof top curtain	double layer high quality polyester
Thickness	3,0 mm
Weight	Approx. 3400 g/m ²
Flammability all curtains	DIN 75200

Overview

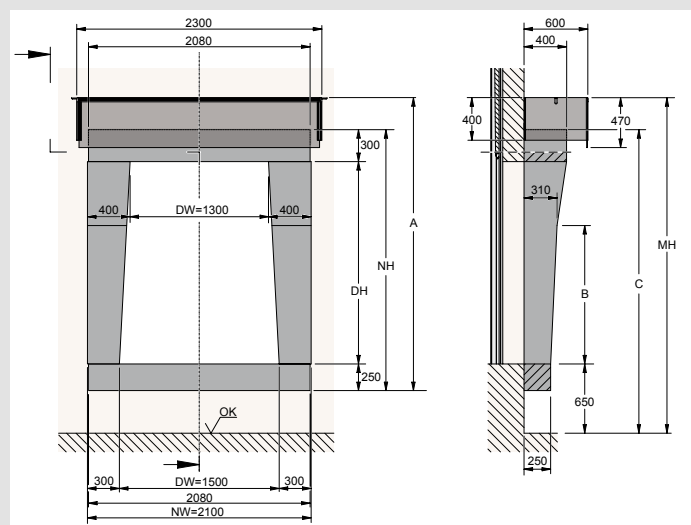


- 1) Top cushion
- 2) Side cushion left
- 3) Side cushion right
- 4) Bottom cushion
- 5) Separate roof

Dimensions



Dimensions of the standard size, dock shelter nominal width 2000 mm



Dimensions of the optional size, dock shelter nominal width 2100 mm