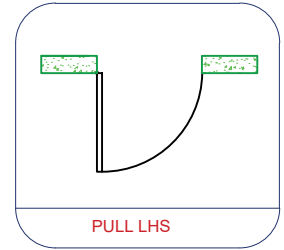
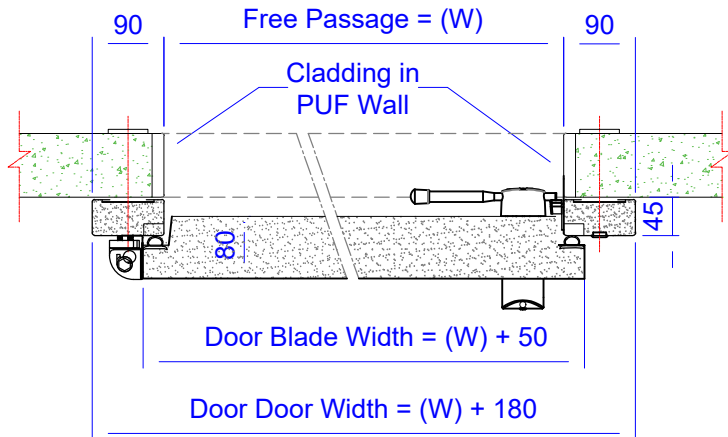
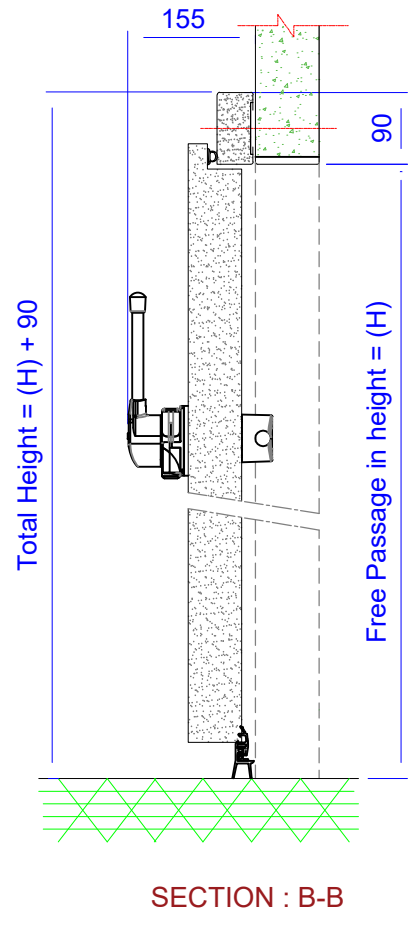
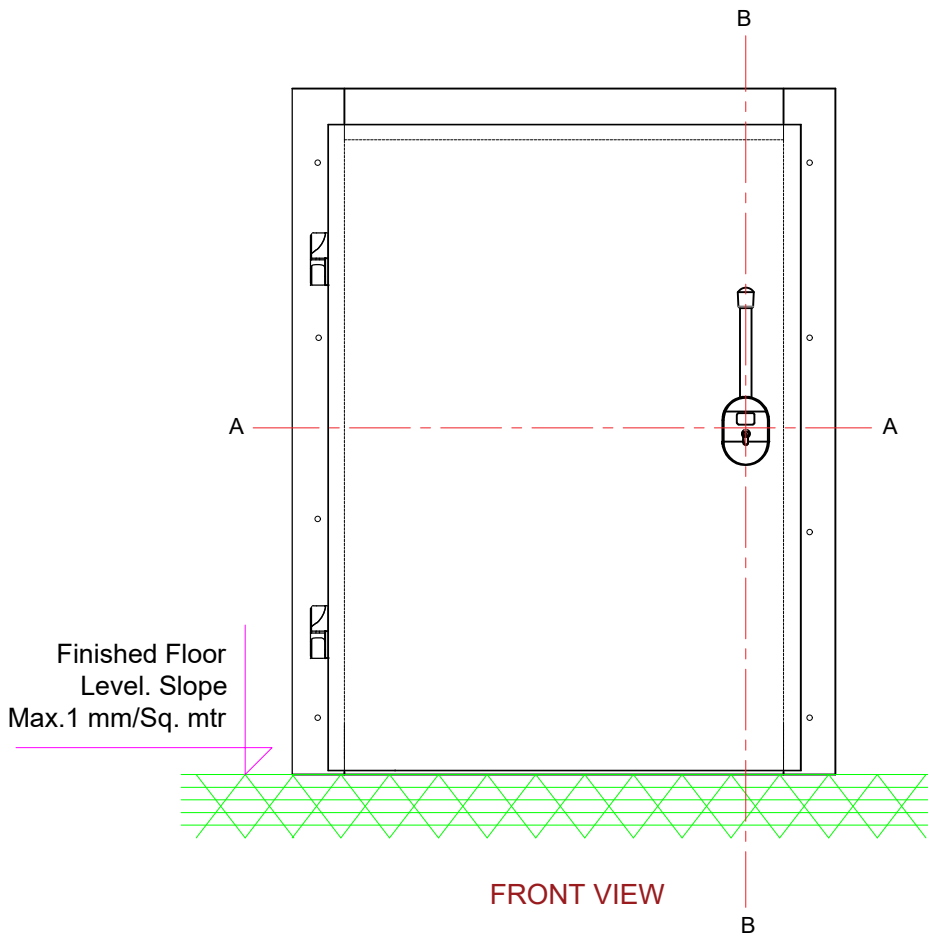


Note :


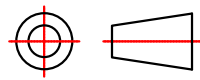
- 1) Cutout preparation will be in customer scope.
- 2) Finished floor level is required (Customer scope).



SECTION : A-A



Note : Hinges/Fastener 's quantity may change as it depend upon door size.

 <b>ASSA ABLOY</b> METAFLEX DOORS INDIA PVT. LTD 8-A, Part I & II, Udyog Vihar, Greater Noida-201306, U.P., INDIA. Phone:- 0120-4751000 www.metaflexdoors.in	Projection	Drawn	S.K.	Chkd	N.K.	Project STANDARD GA DWG. OF MAK SWING CHILLER  Sheet 1 of 1
		Date	29-10-2025	Ch.date	29-10-2025	
		Scale	NTS	Tol.		
		Dim.	mm	Config	LHS	
<p style="text-align: center;">This drawing contains confidential information and is the property of Metaflex Doors India Pvt. Ltd. Without whose permission it may not be copied, shown or handed to a third party or otherwise used</p>						
Description		<b>MAK SWING CHILLER DOOR</b>				Format: <b>A4</b>
Title		<b>MAK SWING CHILLER</b>		Drawing no. MSC-PL	Rev. 00	