



ASSA ABLOY SL300 sliding door can offer an attractive automatic entrance for you with a small installation space, convenient for design and construction. It is an ideal choice when choosing one of our automatic door products

Never compromise

The SL300 is a high-quality sliding door tailored to meet the essential needs of an automatic sliding door while providing an attractive open entrance with flexible features that make installation convenient and the ideal automatic door for existing locations, redesigns and new constructions. Developed by our team of leading engineers, the door delivers the same durability and long-lasting operation that ASSA ABLOY customers can rely on.

Proven quality

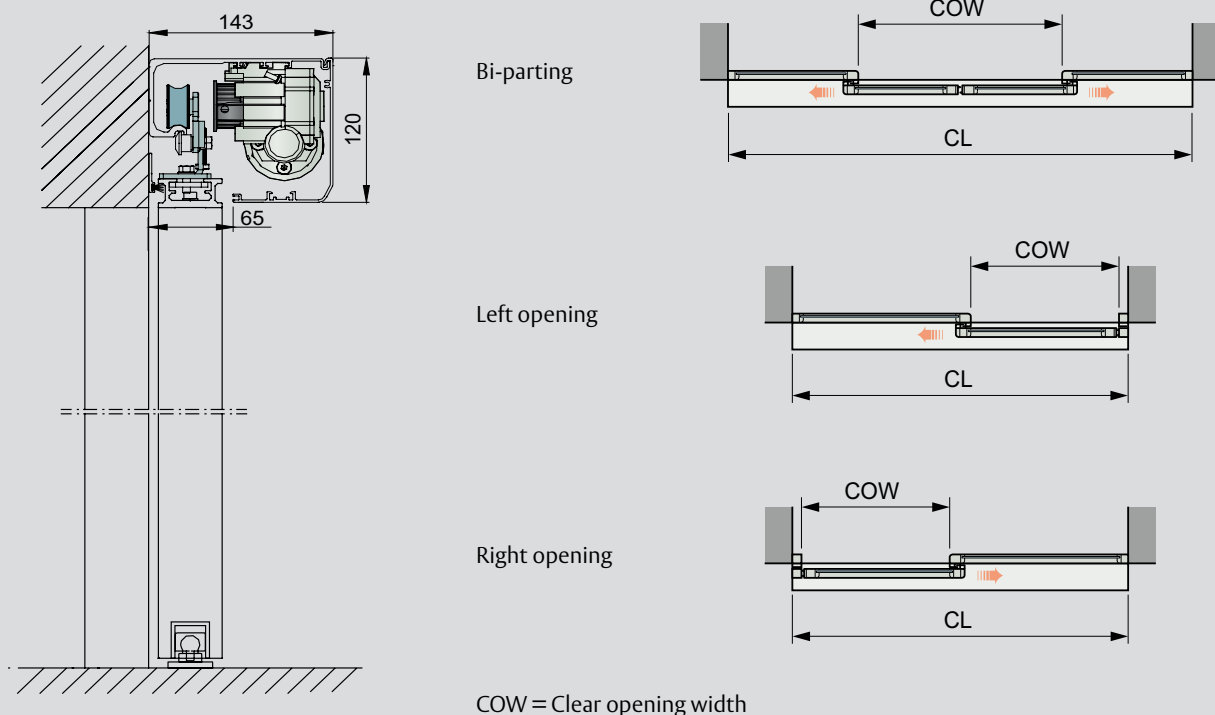
With more than 50 years of experience across the globe, ASSA ABLOY Entrance Systems is the industry leader in the development, production and service of automatic doors. Headquartered in Switzerland, our high-quality products have obtained the LRQA ISO 9001 certificate and obtained the US UL safety certificate, Germany's TUV certificate, Sweden's RISE safety certificate, Sweden's SITAC certificate, the CE certificate test standard, and the Chinese National Research Centre of Testing Techniques for Building Materials.

Technical specifications

Power supply	100 - 240V AC \pm 10% ; 50/60 Hz
Power consumption	max. 200 W
Recommended max. door weight	
ASSA ABLOY SL300-2	max. 100 kg/door leaf
ASSA ABLOY SL300-R/L	max. 120 kg
Clear opening width (COW)	
ASSA ABLOY SL300-2	1100-2000 mm
ASSA ABLOY SL300-R/L	850-2000 mm
Hold-open time	0 – 60 s
Ambient temperature	-20°C to +50°C
Relative humidity (non-condensing)	max. 85%

Guaranteed performance & safety features

The SL300 keeps people flow smooth and customers safe. To ensure risk-free passage between closing doors, the SL300 reverses its doors if an obstruction is detected, then resumes the interrupted movement at low speed to ensure the obstruction is no longer there. If an obstruction is detected during opening, the doors stop immediately and close after a time delay.



The speed and force of the doors can be customized to optimize safety for any business' needs. And to maximize safe operations and foot traffic, an optional monitored ASSA ABLOY presence detection system can be easily integrated with the SL300.

An option for any need

The SL300 is available in a range of different solutions to offer you high flexibility and convenience:

- An operator only version, optimized in size to fit a wide range of installation sites.
- An assembly kit that allows for easy shipment to you or any end-user and convenient self-assembly on-site.
- A full solution including the operator, frame and glass designed for the specific usage, easy installation on-site and an ongoing service and maintenance contract with the ASSA ABLOY service solutions.

Customized design & adaptable features

The SL300 has a variety of smart components that make it easy to use, maintain and install. The operator is designed to adapt to a wide range of installation sites, while the control unit is equipped with dual microcontrollers for fast computing and response speed. And the high-performing DC-motor, along with the wheel design, reduces noise and provides a low operating sound level. Furthermore, the module design makes it convenient for easy troubleshooting and keeps maintenance costs minimal.

The ASSA ABLOY SL300 employs the latest software:

- Automatic "Push & Go".
- Double closed-loop monitoring for maximum safety.
- High precision encoder for accurate control.

Standard Equipment

Support Beam

Drive unit, control unit and components

Independent certification to EN16005:2012



Accessories and options

Cover

Lock

Battery

Sensors for extended safety

This equipment should be installed, regularly inspected, maintained and serviced by trained and authorized personnel. Preventive maintenance plans are highly recommended for a proper and safe operation. Talk to your ASSA ABLOY Entrance Systems representative to learn more about our service offering!