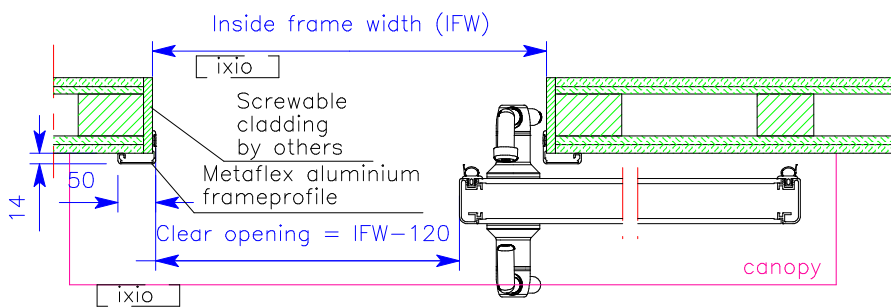


Open to the right

Door nr: —

Quantity: —



Remarks:

Current: 230V / 50Hz socket
1P+1N+RA (by others)

Conduits: 5/8" conduits for electrical wiring (by others)

Wiring: 4 x 0,34 mm², shielded cables, 2m overlength (by others)

Isolators: For current, switches and safeties delivered and mounted by others.

Floor: —Floor must be level.
—No corner profile in sliding space

A: Switches
B: Socket (current)
C: Optional functions



Rev.:	Modificatie:	Datum:	Getekend:	Gecontr.:
Projectie 	Schaal: nvt	Getekend: M.S.	Project:	
	Maateenheid: mm	Gecontrl.: --	—	
	Datum: 22-04-2024	Project:	—	
On all our designs, drawings and other works belonging to us, our copyright and any other intellectual property rights rest.				
Door type: Medicare Glass SDA-05				Formaat: A4
Situation: —		Dwg.no.: 40550S4R-210	Rev. 00	