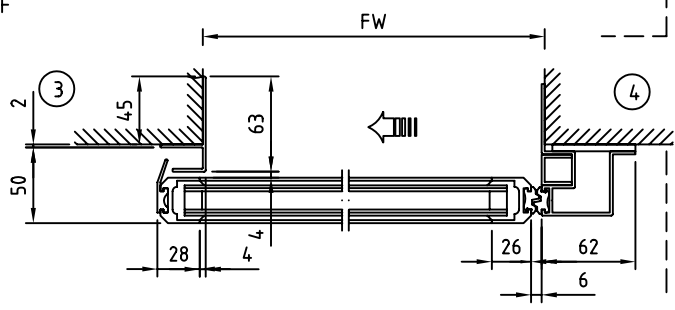
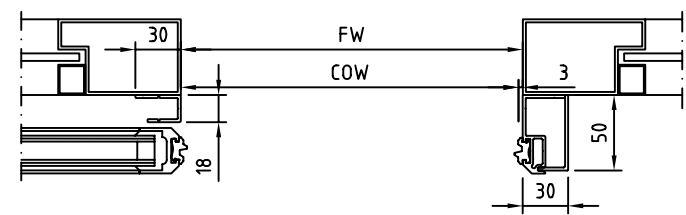


Alt. F



Alt. U



- FW= Frame width
Min. 900 / max. 1500
Alt. F FW=COW+7
Alt. U FW=COW+3
- FH= Frame height
Min. 1900 / max. 3000
- COW= Clear opening width
Alt. F COW=FW-7
Alt. U COW=FW-3
- COH= Clear opening height
COH=FH
- CL= Cover length

- State when ordering
- FW=.....mm
 - FH=.....mm
 - COW=.....mm
 - COH=.....mm
 - Cover
 - CL=.....mm

- Profile option
- Alt. F (concrete/brick)
 - Alt. U (aluminium/steel)

- Surface treatment
- Silver anodized
 - Special anodized.....
 - RAL.....
 - Special powder coating.....
 -

- Glass
- 6/10/6 Insulated laminated glass

- Lock
- Floor lock Euro 1-way
 - Floor lock Euro 2-way

Scale 1:5

Customer: _____

Door id: _____

Project No: _____

EntreMatic ref: _____

Date: _____

Sign: _____

Profile system
EMPS Thermo with EMSL
1 panel wall mounted left



2 833003