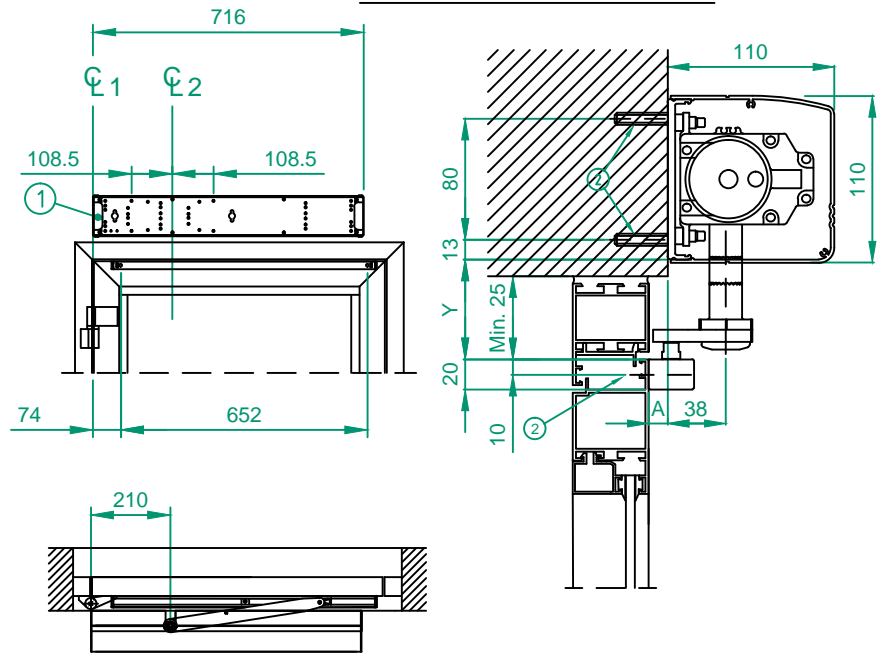


© All rights in and to this material are the sole property of Entrematic AB. Copying, scanning, alterations or modifications are expressly forbidden without the prior written consent of Entrematic AB. Rights reserved for changes without prior notice.

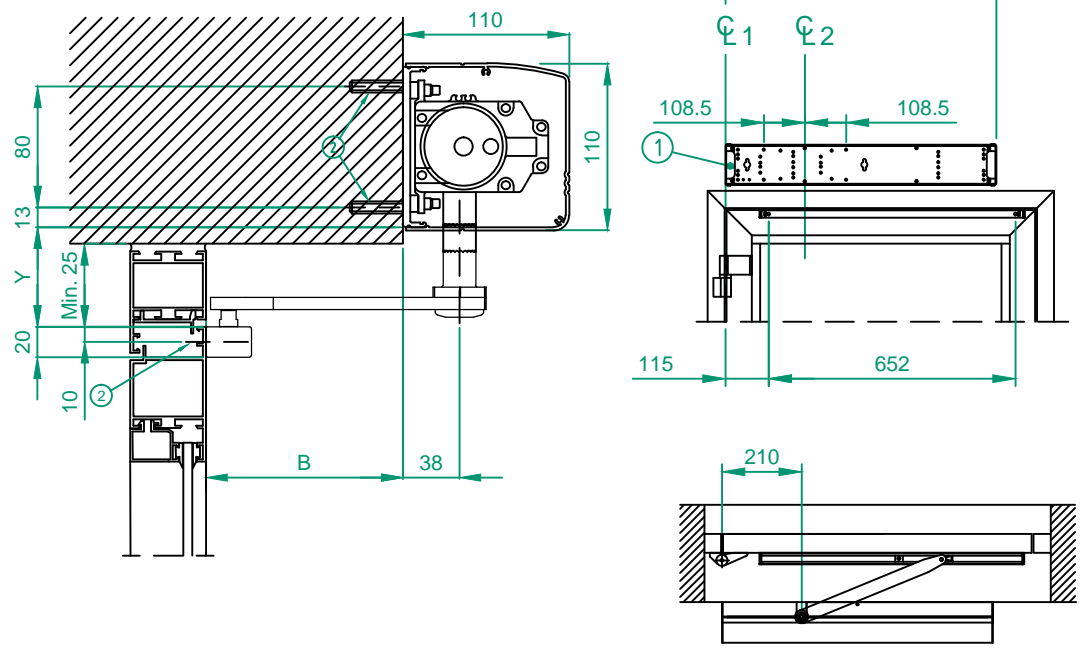
### Reveal 0 - 130mm



- ☉1 Hinges
- ☉2 Operator drive shaft
- A Reveal 0 -130mm
- 1 Cable inlet
- 2 Reinforcements required in door leaf and at fixing holes

Y=	Shaft extension
46	0
66	20
96	50
116	70

### Reveal 131 - 200mm



- ☉1 Hinges
- ☉2 Operator drive shaft
- B Reveal 131 - 200mm
- 1 Cable inlet
- 2 Reinforcements required in door leaf and at fixing holes

Note Low speed closing and opening distance will increase.  
 Max. door opening = 95°  
 Min. door width = 800mm

**Customer:** \_\_\_\_\_

**Door id:** \_\_\_\_\_

**Project No:** \_\_\_\_\_

**Ref:** \_\_\_\_\_

**Date:** \_\_\_\_\_

**Sign:** \_\_\_\_\_

**EM EMSW-2**  
**Arm system PULL**  
**Swing door operator**

