

Swing Door Operator

ASSA ABLOY SW60

ASSA ABLOY
Entrance Systems

The global leader in
door opening solutions



Technical specifications

Power supply	100-240 V AC +10/-15%, 50/60 Hz
Power consumption	Max. 90 W
Auxiliary voltage	24 V DC, max. 400 mA
Electromechanical locking connection	12 V DC, max. 1200 mA or 24 V DC, max. 600 mA
Ambient temperature	-20 °C to +45 °C
Max. weight	120 kg
Relative humidity (non condensing)	Max. 95%
Class of protection IP20 - To be installed internally or externally with suitable weather protection	

ASSA ABLOY SW60 swing door operator is the perfect choice where reliable performance and superior safety together with an appealing slim look is of extra importance.

Energy-efficiency

ASSA ABLOY automated door systems are sustainable by nature and automatically convenient as they ensure opening only when needed to pass, eliminating unnecessary air infiltration and keeping climate zones separate. The innovative electronics in the ASSA ABLOY SW60 ensure minimal energy consumption for optimal door performance.

Safety

The ASSA ABLOY SW60 is safe to use for all, despite age and physical ability. In case of an obstruction by a person or object, the obstruction control ensures stop on stall and reverse operation. Furthermore, the ASSA ABLOY SW60 swing door operator is fully compliant with standards.

Security

ASSA ABLOY SW60 operator can also sense when the door has not closed completely and will prompt the door to open again and close fully.

Convenience

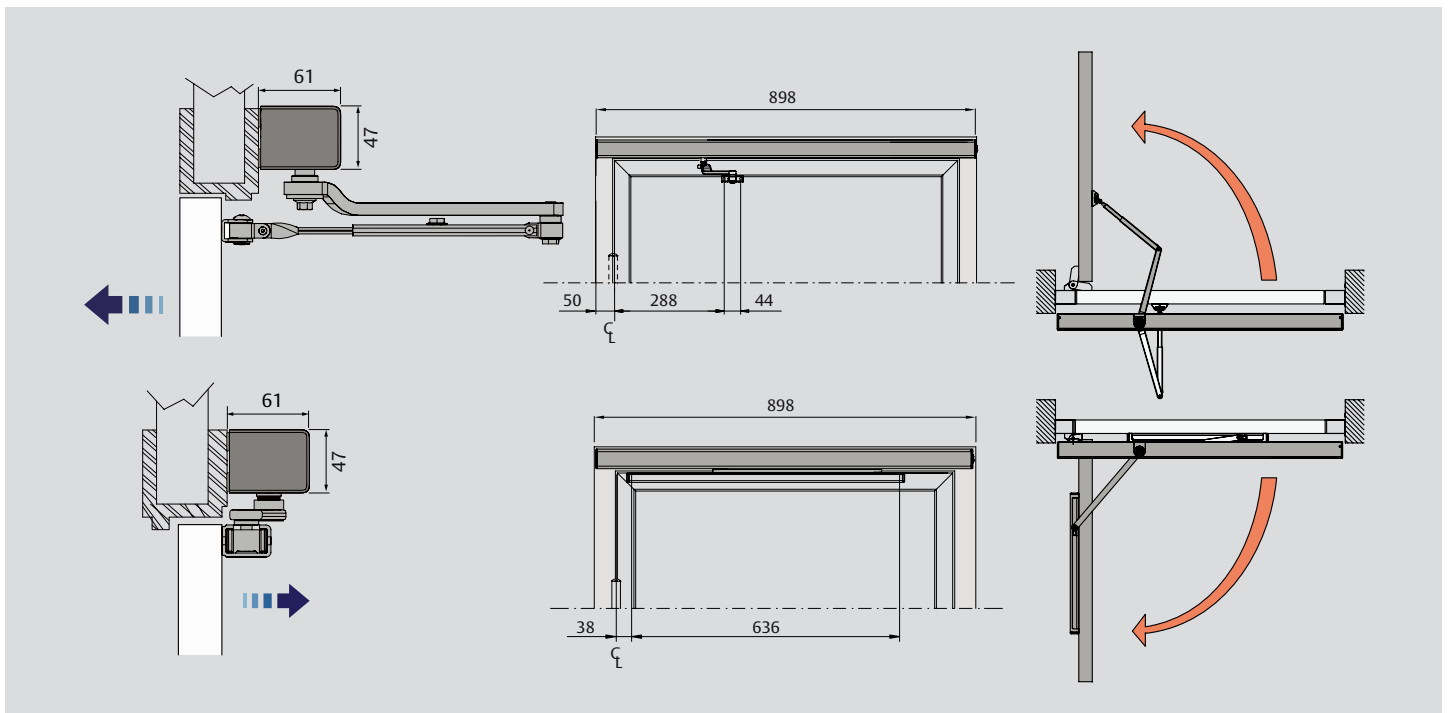
The operator is truly reliable during all weather conditions as it is not affected by stack pressure and wind load when opening and/or closing. Also, for your convenience, safety and quick exit, the ASSA ABLOY SW60 can easily be manually opened, despite extended closing torque.

Smart

ASSA ABLOY SW60 is designed with compact hardware and intelligent software. The operation works smoothly. It can be installed easily and quickly with limited space. It is more convenient for setting modes/parameters and functions on app.

Aesthetics

The smart ASSA ABLOY SW60 swing door requires a minimum of space while providing maximum performance. Furthermore, the door system operates impressively silent despite its amazing capability to handle heavy doors up to 120kg. ASSA ABLOY SW60 can be retrofitted with existing doors.



Modes and functions

- Off / Closed: The door is closed. The door cannot be opened with the inner / outer wall or jamb-mounted contact switches.
- Exit: Passage from inside only. The door can only be opened with the inner wall or jamb-mounted contact switches (if fitted) or by a signal to the Key Impulse.
- Auto: The door can be opened with the inner / outer wall or jamb-mounted contact switches.
- Hold / Parking: The door can be held at any position when opening or closing.
- Power assist: Help the user to open the door manually.
- Push and go: When the door is manually pulled / pushed to open, it will perform an open cycle.
- Push and close: When the door is manually pulled / pushed towards closed position the "Push and close" function will cancel the hold-open time and start to close the door.
- Stop on stall: When the door is opening and gets blocked the "Stop on stall" function will make the door stop and stand still in the blocked position for a short time and then start closing.
- Reverse upon obstruction: If the door gets blocked when closing, the "Reverse upon obstruction" will make the door re-open.
- Ratchet function: When the door is given an activation signal, the door will open and stay in the open position until a second activation signal is received.

App and wireless control

- Select modes.
- Set configuration parameters.
- Check event / error records.
- Check statistics.
- Upgrade software versions.

Standard equipment

Cover - Silver anodized aluminium, other paint finishes optional

Dimensions: - Length 898 mm
 - Height 47 mm
 - Depth 61 mm

Control unit has the possibility to connect manual and automatic activation units, position switches.

HOLD / AUTO / OFF switch

Accessories and Options

Knowing-activation units

Arm systems PUSH and PULL

Adapter

This equipment should be installed, regularly inspected, maintained and serviced by trained and authorized personnel. Preventive maintenance plans are highly recommended for a proper and safe operation. Talk to your ASSA ABLOY Entrance Systems representative to learn more about our service offering!