

Docking equipment

ASSA ABLOY DE6190AR

ASSA ABLOY
Entrance Systems

Experience a safer
and more open world



Putting safety first

The ASSA ABLOY DE6190AR Automatic Restraint is a hydraulic wheel restraint system that helps to prevent accidents and injuries at the loading bay. During the loading operation there is a risk that the trailer can roll away unintentionally from the dock due to the impact from the forklift truck traffic, a problem known as vehicle creep. Another ever-present danger is premature drive-off, when a truck leaves too early due to misunderstanding, incorrect instruction or a lack of communication with the driver. For both risks the ASSA ABLOY DE6190AR Automatic Restraint is the ideal solution.

During the dock-in procedure the ASSA ABLOY DE6190AR Automatic Restraint acts as a parking guide for the reversing truck. This reduces the possibility of damage to the truck, dock shelter, dock leveler or the building. When the truck is in the right position at the dock, the hydraulic wheel restraint system is activated by an impulse push button on the control box, which is located inside the building. The rear wheel is detected and secured automatically by the restraining arm.

The new generation ASSA ABLOY DE6190AR Automatic Restraint is also suitable for vehicles with tail lifts because of the new collapsible detection arm. With an optional mud flap sensor potential damages to the trucks are avoided.

Prevent unplanned movement

The round blocking arm of the ASSA ABLOY DE6190AR Automatic Restraint System traps the vehicles wheel, preventing unplanned vehicle movement during the loading and unloading process. Accidental creep is impossible and vehicles cannot drive off during the process. With a constant restraining force applied throughout the process, it is safety you can rely on.

Complete control with double way interlocking

The double way interlocking system means that dock doors cannot open before the restraint system is in place, and the blocking arm will only retract when the dock door is closed. So you can be confident that operations will only begin when a vehicle is safely docked, and vehicles will never move off before it is safe to do so.

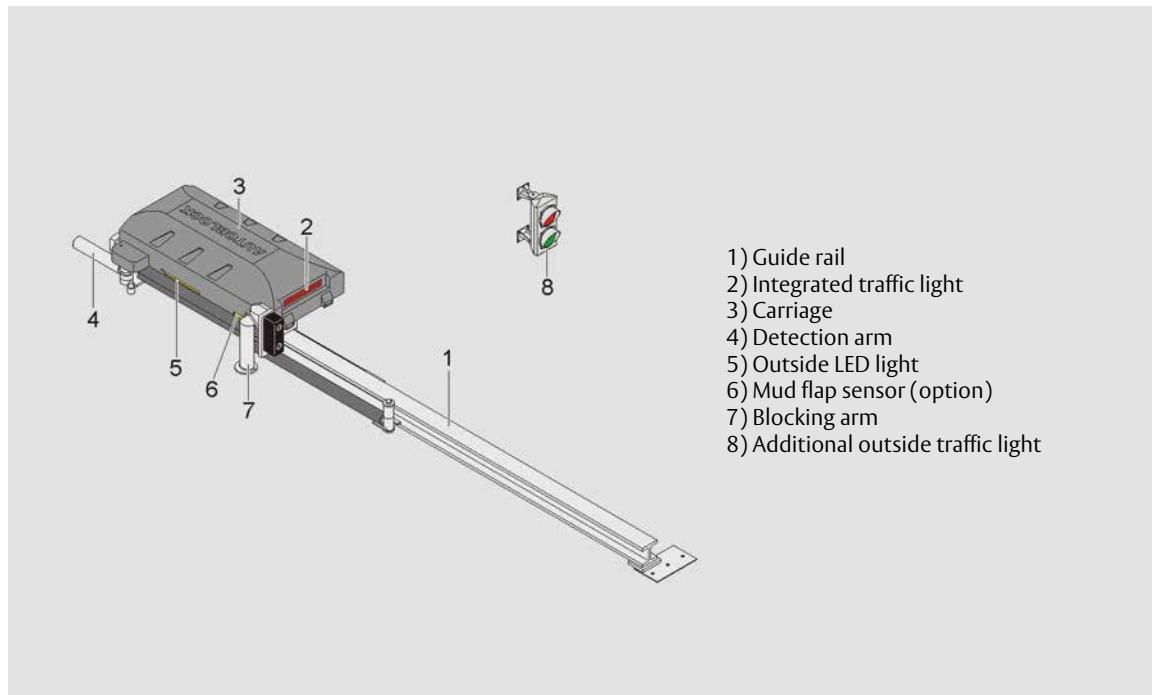
The new collapsible detection arm

The innovative collapsible detection arm of the ASSA ABLOY DE6190AR Automatic Restraint allows a total free passage when the vehicle enters and leaves the loading bay. Furthermore, even if it receives an impact, it is mobile and completely free to move forwards and backwards.

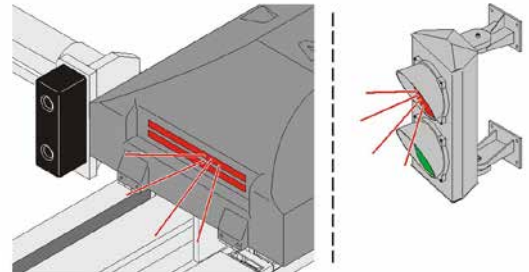
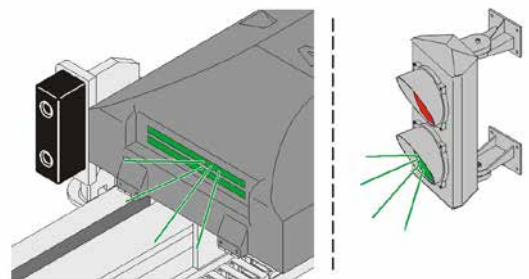
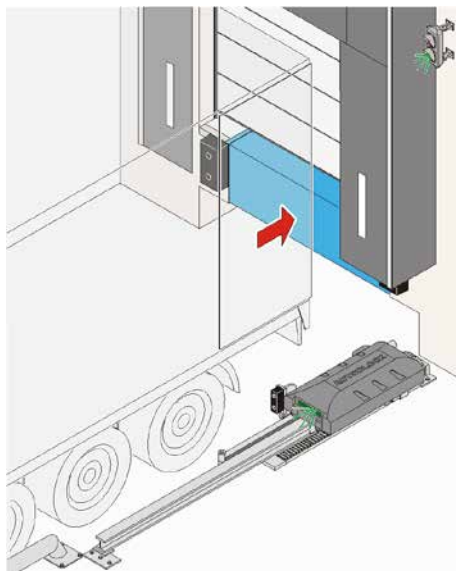
Technical Data

Restraint force	200kN
Standard Cable length (dock leveler installation inside the building)	motor cable 11,5 m sectional door sensor cable 2,5 m dock leveler sensor cable 7,0 m
Traffic light	integrated on the carriage
Interlocking	sensor for sectional door sensor for dock leveler
Outside LED light	has a brightness sensor and lights up when it is dark
Override key switch	disconnects the interlocking functions
Winter mode switch	the hydraulic unit will run in a closed circuit for one minute, every four hours

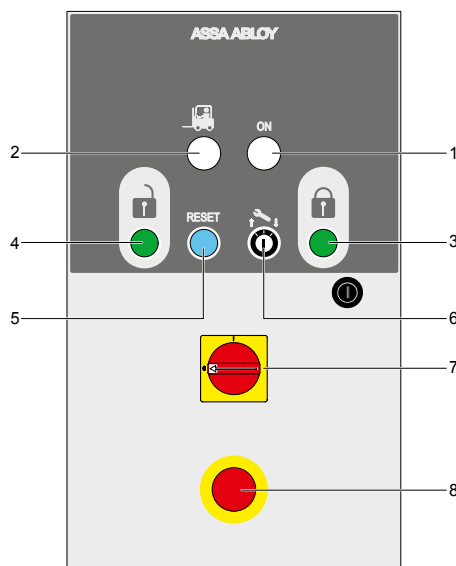
Overview



Mode of operation



Control box



- 1) Signal white to indicate power ON.
- 2) Signal green to indicate leveler or sectional door is released (the truck is docked and blocked).
- 3) Push button to activate the restraint system to move forward and block the truck. The push button lamp is green when the restraint system is ready for use or when the optional truck detection sensor is activated.
- 4) Push button to release the restraint system to move back to the parking position.
- 5) Push button to RESET the restraint system. Signal blue to indicate an error in the system or when emergency push button has been activated.
- 6) Key switch for maintenance.
- 7) Mains Switch.
- 8) Emergency stop push button.